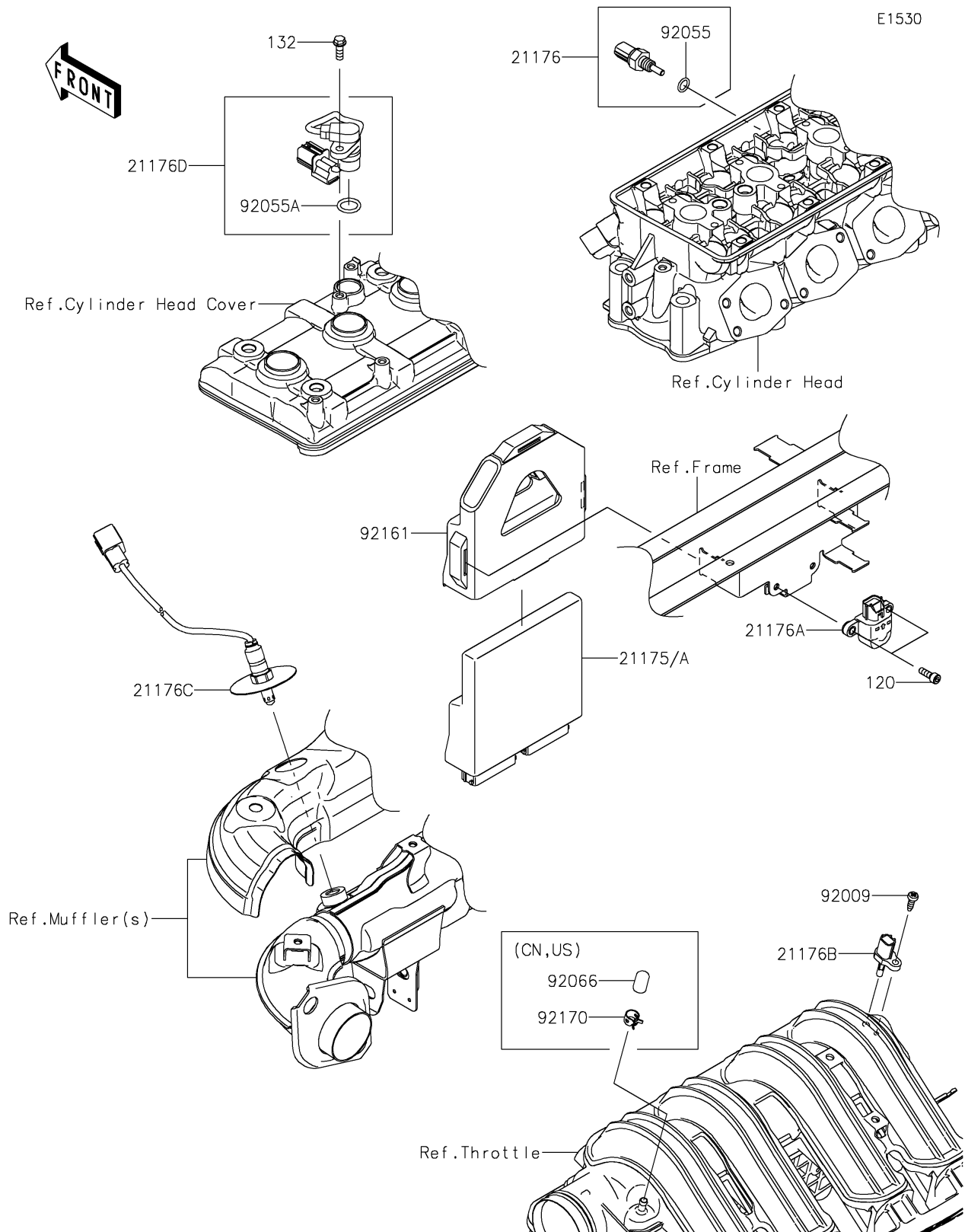


# 2026 RIDGE® CREW HVAC

## PARTS DIAGRAM

### Fuel Injection



# 2026 RIDGE® CREW HVAC

## PARTS LIST Fuel Injection



ITEM NAME	PART NUMBER	QUANTITY
-----------	-------------	----------

---