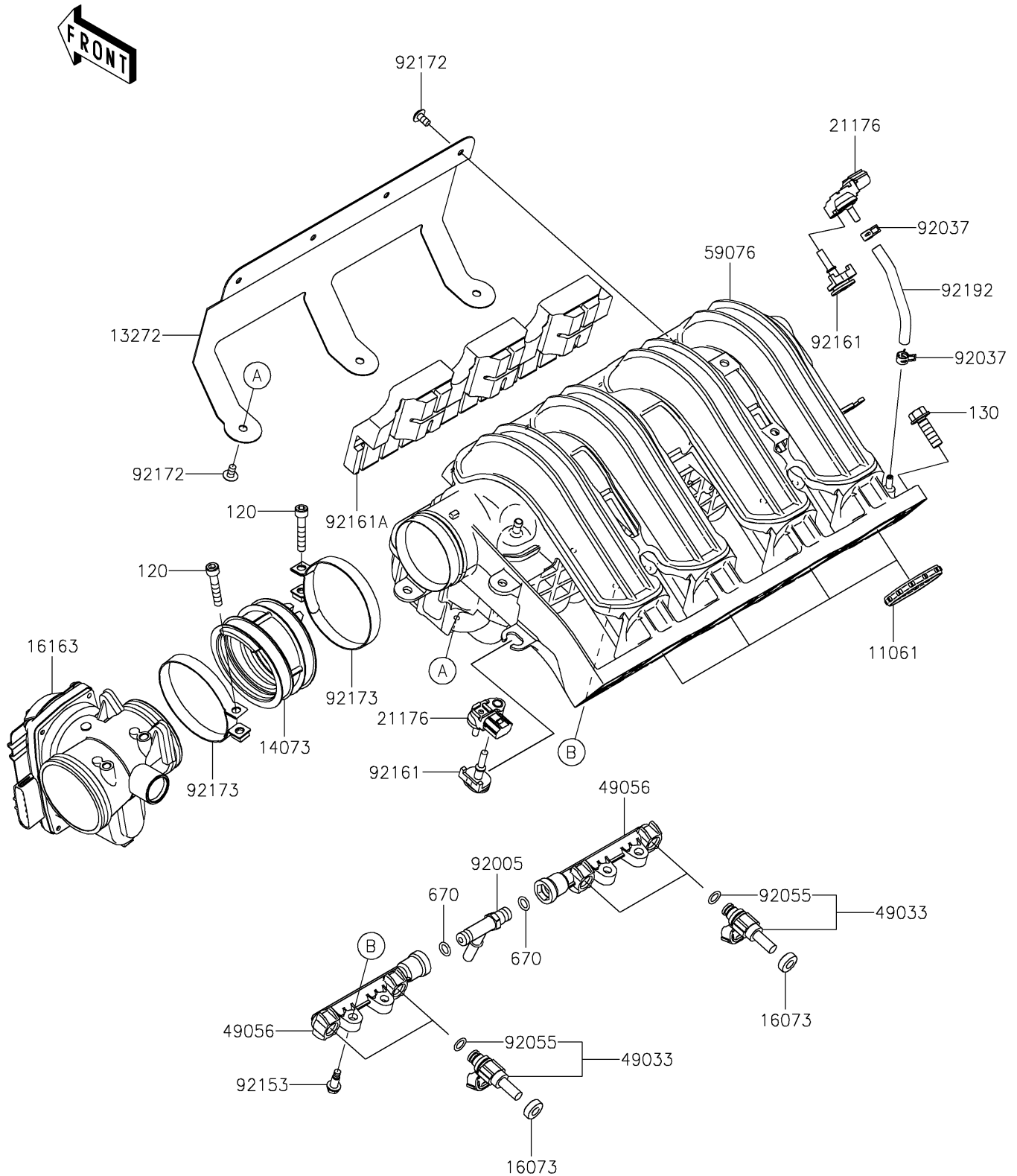


2026 RIDGE CREW HVAC Camo

PARTS DIAGRAM

Throttle

E1510



2026 RIDGE CREW HVAC Camo

PARTS LIST

Throttle

ITEM NAME	PART NUMBER	QUANTITY
GASKET,INTAKE MANIFOLD (Ref # 11061)	11061-1470	4
PLATE,INTAKE MANIFOLD (Ref # 13272)	13272-4239	1
DUCT,INTAKE MANIFOLD (Ref # 14073)	14073-1914	1
INSULATOR (Ref # 16073)	16073-0129	4
THROTTLE-ASSY (Ref # 16163)	16163-1306	1
SENSOR,PRESSURE (Ref # 21176)	21176-0906	2
NOZZLE-INJECTION (Ref # 49033)	49033-0586	4
PIPE-INJECTION (Ref # 49056)	49056-0568	2
MANIFOLD-INTAKE (Ref # 59076)	59076-0044	1
FITTING (Ref # 92005)	92005-0125	1
CLAMP,7.8MM (Ref # 92037)	92037-2116	2
RING-O,INJECTION NOZZLE (Ref # 92055)	92055-0937	4
BOLT,FLANGED,5MM (Ref # 92153)	92153-0361	4
DAMPER (Ref # 92161)	92161-0673	2
DAMPER (Ref # 92161A)	92161-2517	1
SCREW,TAPPING,5X10 (Ref # 92172)	92172-0262	7
CLAMP,74MM (Ref # 92173)	92173-2219	2
TUBE,INTAKE MANIFOLD (Ref # 92192)	92192-2652	1
BOLT-SOCKET,6X35 (Ref # 120)	120CA0635	2
BOLT-FLANGED,8X25 (Ref # 130)	130BA0825	8
O RING,8MM (Ref # 670)	670E1508	2