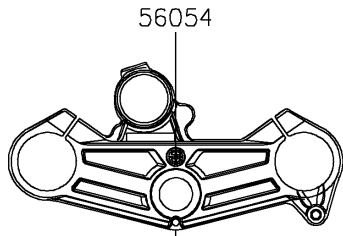


2026 NINJA® ZX™-10RR ABS

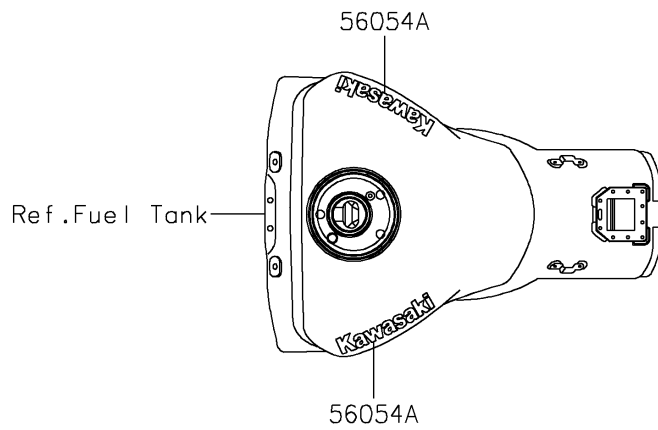
PARTS DIAGRAM

Decals

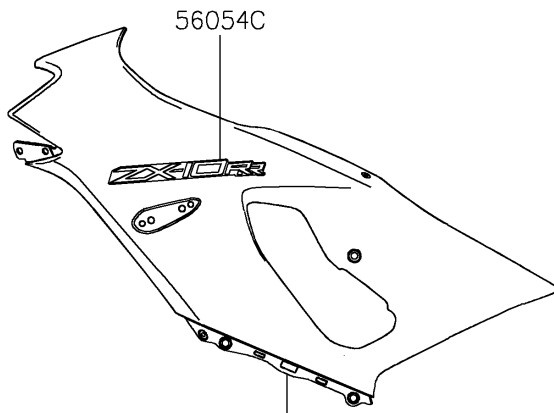
F2861



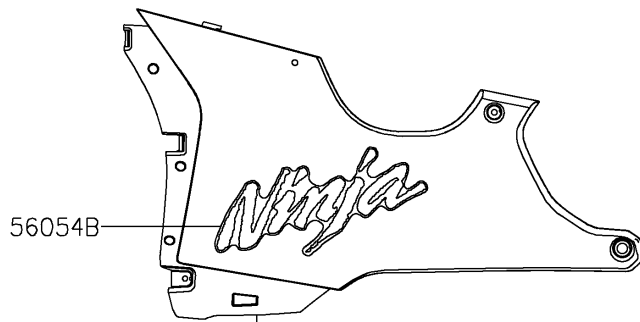
Ref. Front Fork



Ref. Fuel Tank



Ref. Cowling Lower



Ref. Cowling Lower

2026 NINJA® ZX™-10RR ABS

PARTS LIST

Decals

ITEM NAME	PART NUMBER	QUANTITY
MARK,UPP HOLDER,RIVER (Ref # 56054)	56054-1628	1
MARK,FUEL TANK,KAWASAKI (Ref # 56054A)	56054-2315	2
MARK,LWR COWL.,NINJA (Ref # 56054B)	56054-7083	2
MARK,SIDE COWL.,ZX-10RR (Ref # 56054C)	56054-7084	2