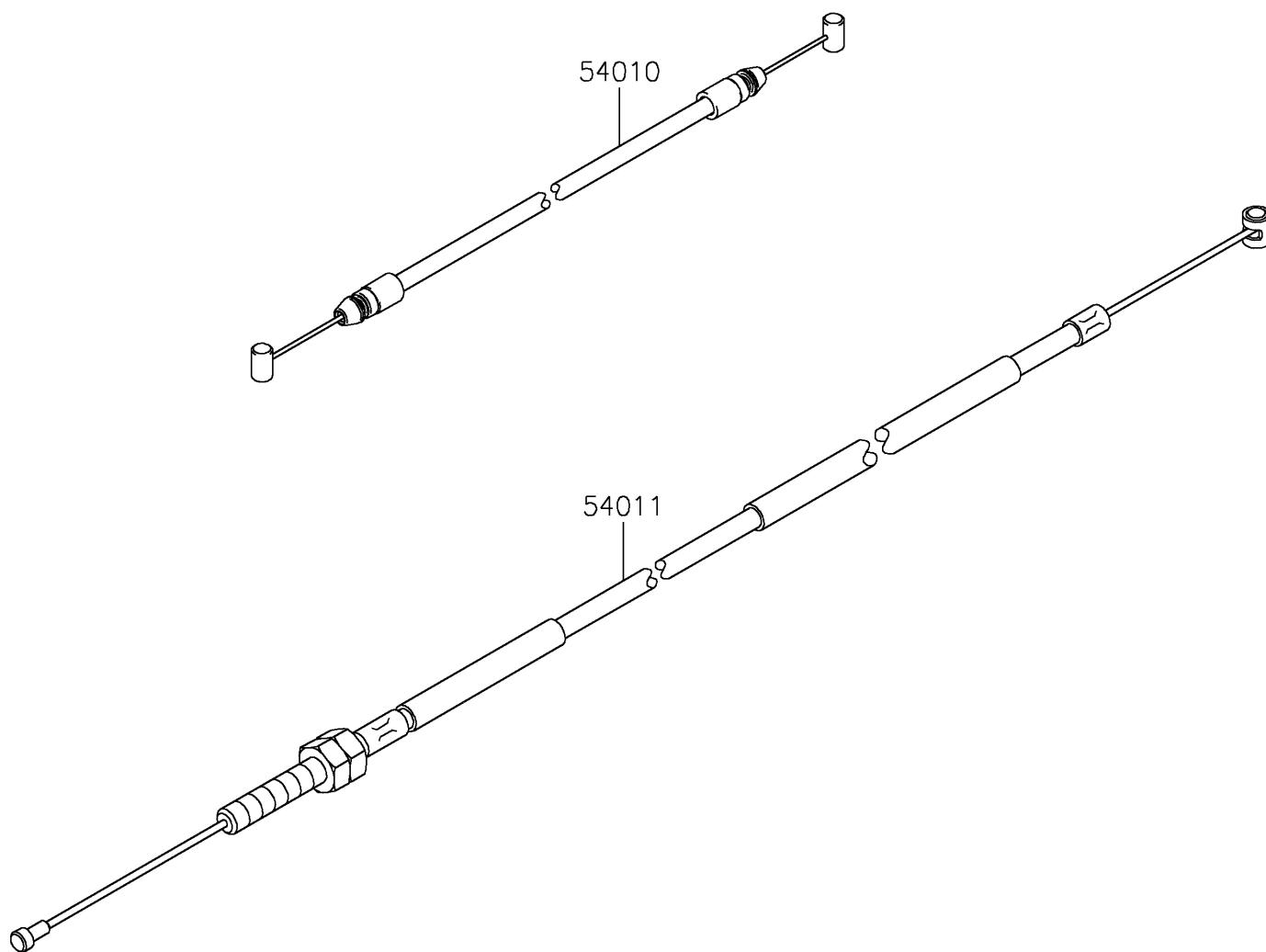


# 2026 NINJA® ZX™-10RR ABS

## PARTS DIAGRAM

### Cables

F2540



# 2026 NINJA® ZX™-10RR ABS

## PARTS LIST

### Cables

ITEM NAME	PART NUMBER	QUANTITY
CABLE,SEAT LOCK (Ref # 54010)	54010-0029	1
CABLE-CLUTCH (Ref # 54011)	54011-0658	1