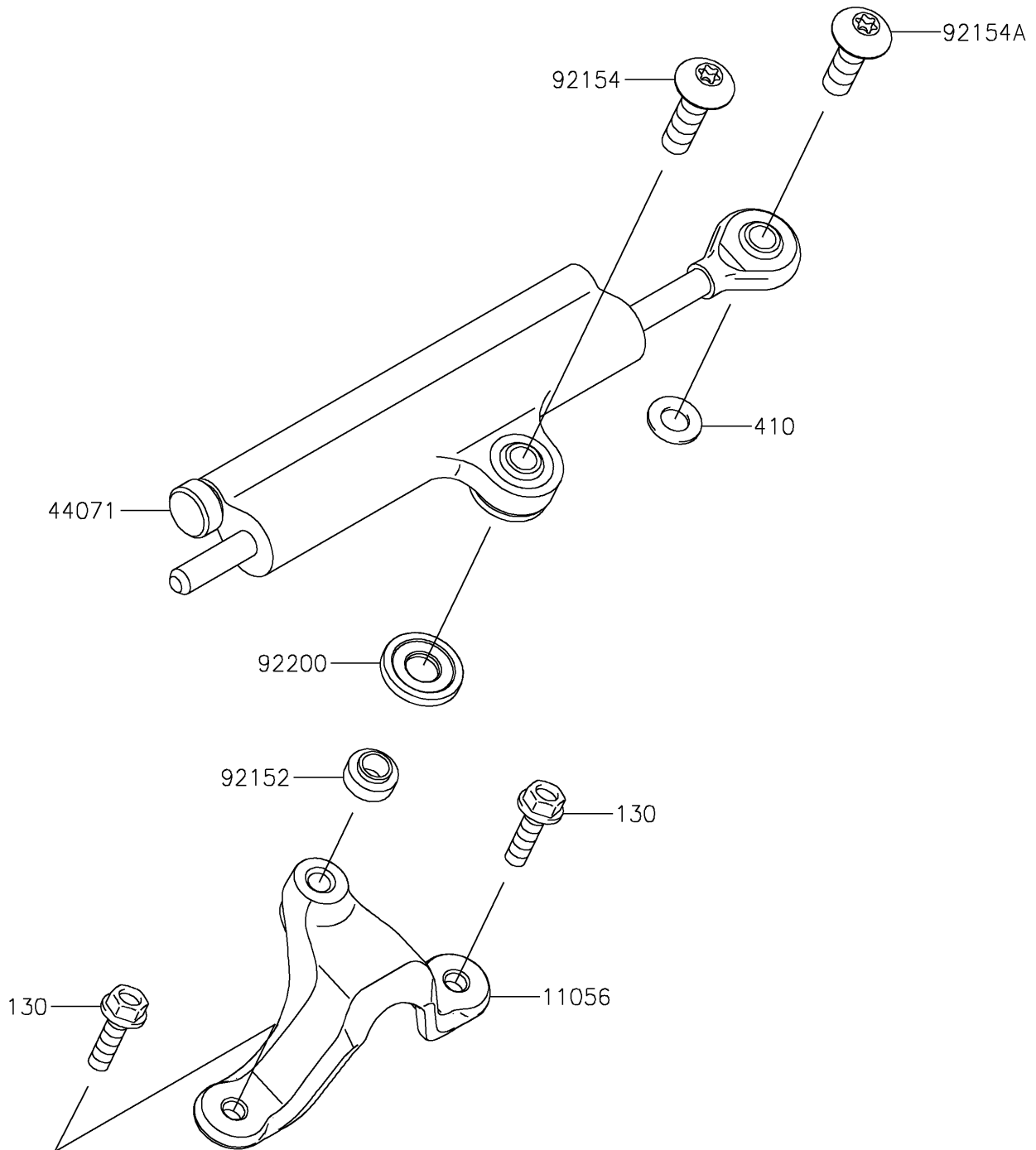


# 2026 NINJA® ZX™-10RR ABS

## PARTS DIAGRAM

### Steering Damper

F2313



# 2026 NINJA® ZX™-10RR ABS

## PARTS LIST

### Steering Damper

ITEM NAME	PART NUMBER	QUANTITY
BRACKET,STEERING DAMPER (Ref # 11056)	11056-0173	1
DAMPER-ASSY,STEERING (Ref # 44071)	44071-0673	1
COLLAR,8X10X7.3 (Ref # 92152)	92152-2146	1
BOLT,TORX,8X30 (Ref # 92154)	92154-1801	1
BOLT,TORX,8X26 (Ref # 92154A)	92154-1897	1
WASHER (Ref # 92200)	92200-0293	1
BOLT-FLANGED,6X20 (Ref # 130)	130BA0620	2
WASHER-PLAIN-SMALL,8MM (Ref # 410)	410AA0800	1