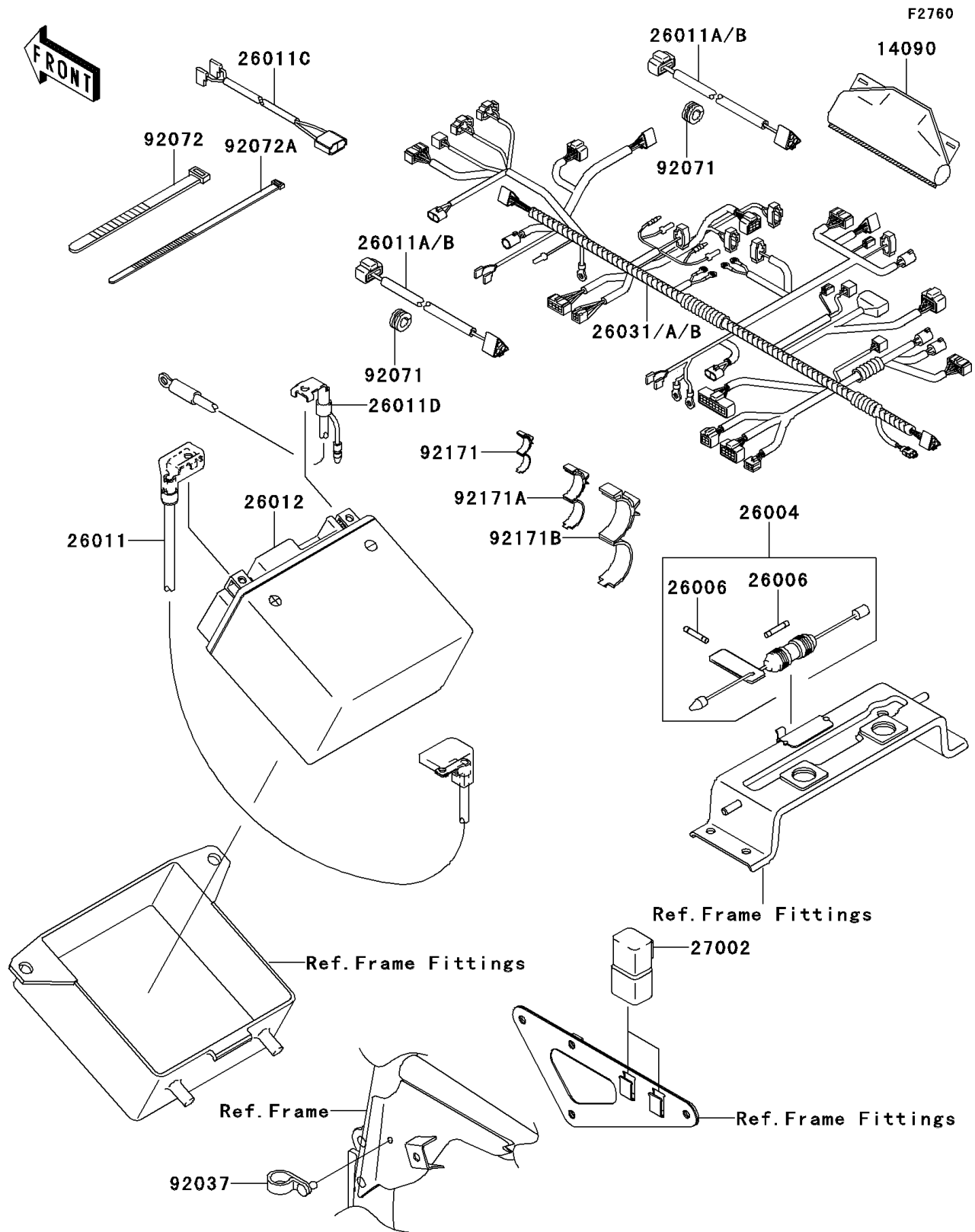


2006 KFX700

PARTS DIAGRAM

Chassis Electrical Equipment



2006 KFX700

PARTS LIST

Chassis Electrical Equipment

ITEM NAME	PART NUMBER	QUANTITY
COVER,COUPLER (Ref # 14090)	14090-1331	1
FUSE-ASSY (Ref # 26004)	26004-7501	1
FUSE,GLASS TUBE,6.4X31.8,20A (Ref # 26006)	26006-1064	2
WIRE-LEAD,BATTERY(+) (Ref # 26011)	26011-0009	1
WIRE-LEAD,HEAD LAMP (Ref # 26011B)	26011-1741	2
WIRE-LEAD,FRONT BRAKE (Ref # 26011C)	26011-1802	1
WIRE-LEAD,BATTERY(-) (Ref # 26011D)	26011-1847	1
BATTERY,MF,KMX14-BS,12V 12AH (Ref # 26012)	26012-1414	1
HARNESS,MAIN (Ref # 26031)	26031-0011	1
RELAY-ASSY (Ref # 27002)	27002-1086	2
CLAMP,SPEED,L=58 (Ref # 92037)	92037-1163	1
GROMMET (Ref # 92071)	92071-1128	2
BAND,L=123 (Ref # 92072)	92072-030	1
BAND,L=188 (Ref # 92072A)	92072-1239	2
CLAMP,DIA=10 (Ref # 92171)	92171-1423	5
CLAMP,DIA=15 (Ref # 92171A)	92171-1424	2
CLAMP,DIA=25 (Ref # 92171B)	92171-1559	2