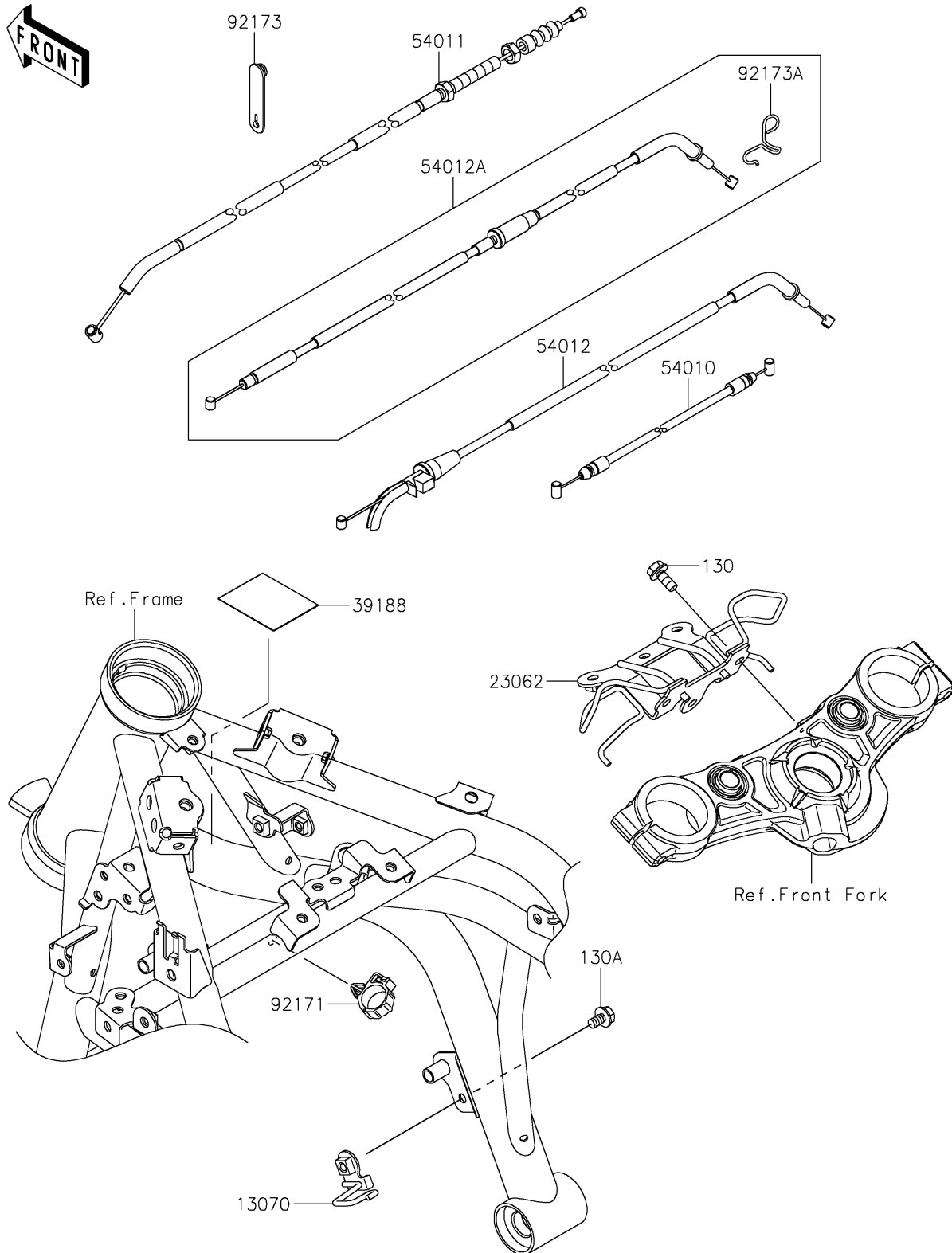


# 2026 Z650 S ABS

## PARTS DIAGRAM

### Cables

F2540



# 2026 Z650 S ABS

## PARTS LIST

### Cables

ITEM NAME	PART NUMBER	QUANTITY
GUIDE,CLUTCH CABLE (Ref # 13070)	13070-0841	1
BRACKET-COMP (Ref # 23062)	23062-1657	1
TAPE,40X50 (Ref # 39188)	39188-0049	1
CABLE,SEAT LOCK (Ref # 54010)	54010-0612	1
CABLE-CLUTCH (Ref # 54011)	54011-0680	1
CABLE-THROTTLE,OPENING (Ref # 54012)	54012-0757	1
CABLE-THROTTLE,CLOSING (Ref # 54012A)	54012-0758	1
CLAMP,BRAKE HOSE (Ref # 92171)	92171-0316	1
CLAMP (Ref # 92173)	92173-2198	1
CLAMP,THROTTLE CABLE (Ref # 92173A)	92173-3707	1
BOLT-FLANGED,6X14 (Ref # 130)	130BA0614	2
BOLT-FLANGED,6X10 (Ref # 130A)	130BB0610	1