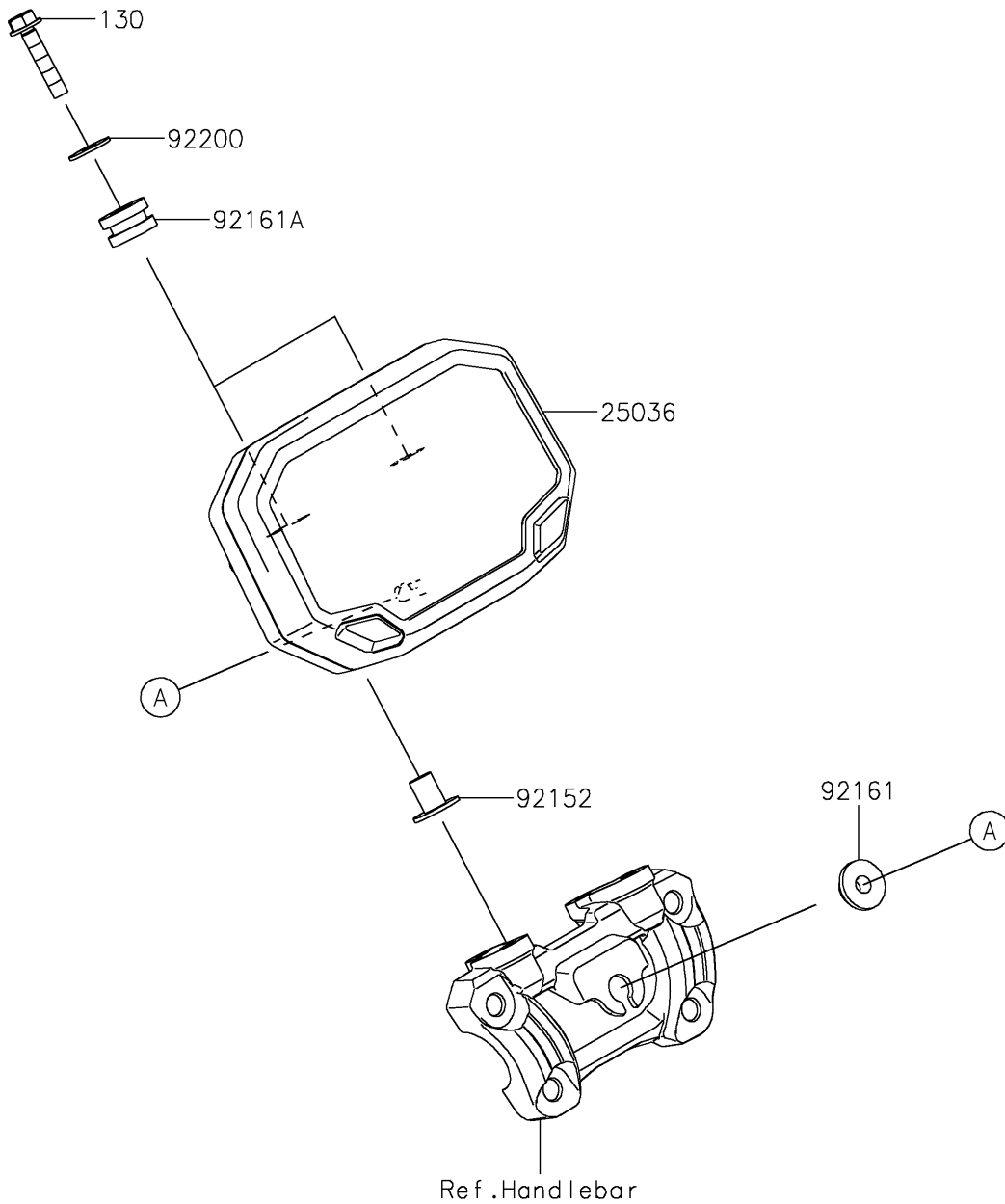


2026 Z650 S ABS

PARTS DIAGRAM

Meter(s)

F2530



2026 Z650 S ABS

PARTS LIST

Meter(s)

ITEM NAME	PART NUMBER	QUANTITY
METER-ASSY,TFT DISPLAY (Ref # 25036)	25036-0221	1
COLLAR,6.3X20X15.1 (Ref # 92152)	92152-2322	2
DAMPER,6X20X7.5 (Ref # 92161)	92161-1937	1
DAMPER (Ref # 92161A)	92161-2375	2
WASHER,6.2X18X1.2 (Ref # 92200)	92200-1889	2
BOLT-FLANGED,6X30 (Ref # 130)	130BB0630	2