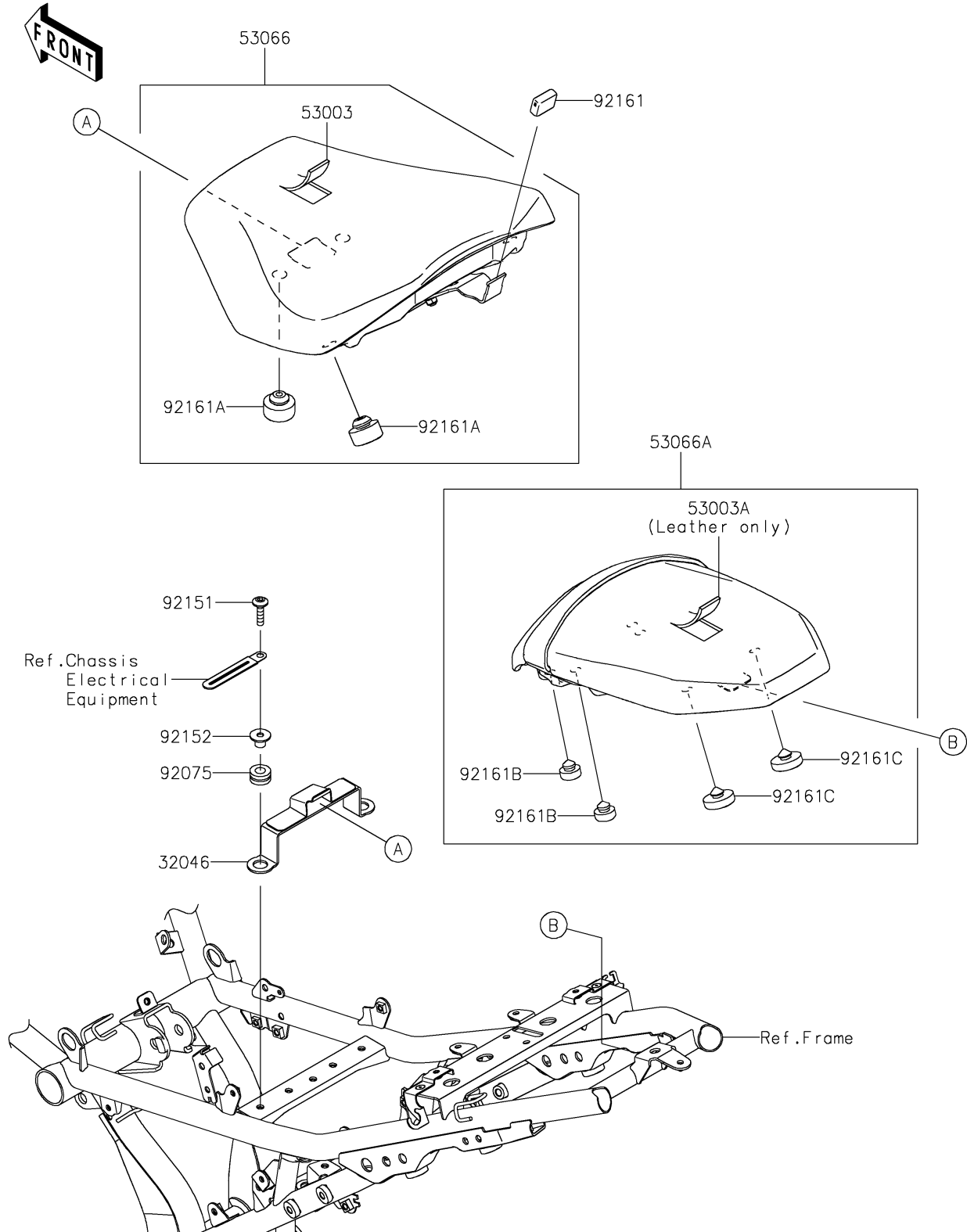


# 2026 Z650 S ABS

## PARTS DIAGRAM

### Seat

F2510



# 2026 Z650 S ABS

## PARTS LIST

Seat

**ITEM NAME**

**PART NUMBER**

**QUANTITY**

---