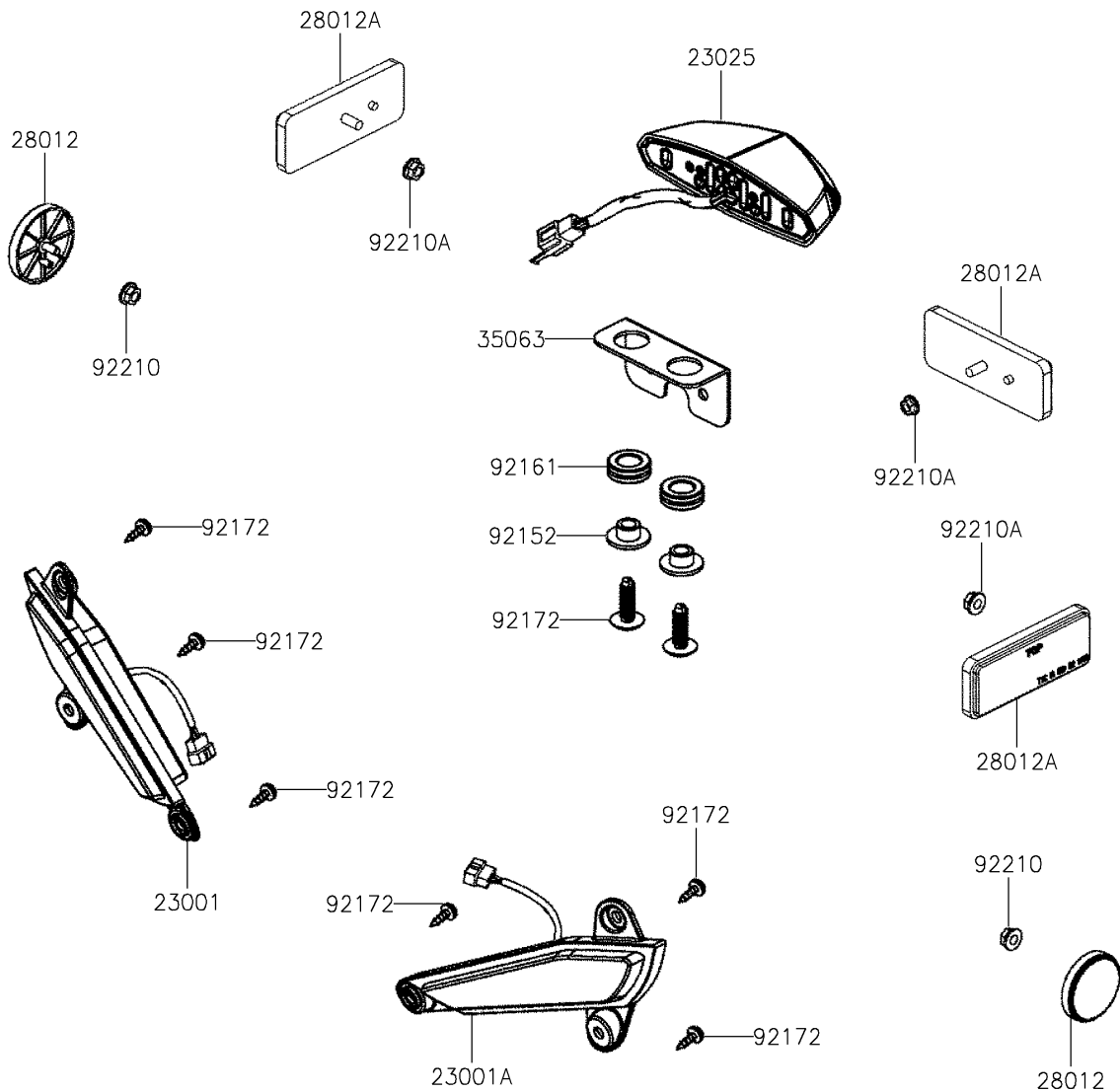


2024 KFX50

PARTS DIAGRAM

Taillight(s)

F2720



2024 KFX50

PARTS LIST

Taillight(s)

ITEM NAME

PART NUMBER

QUANTITY
