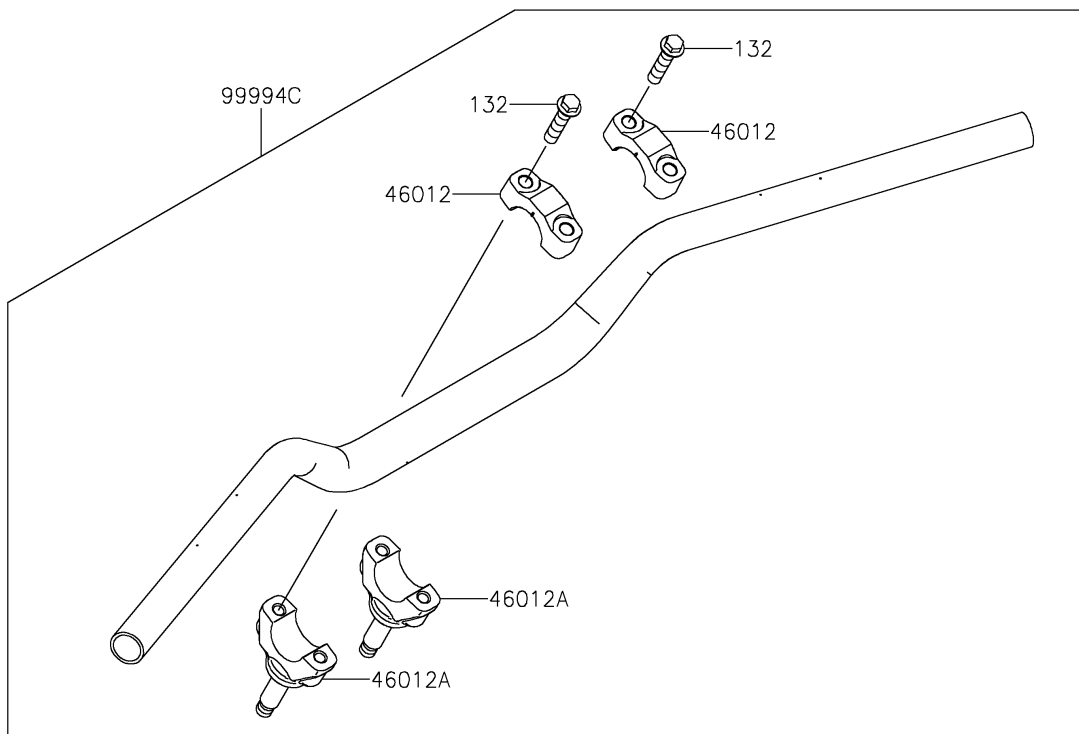
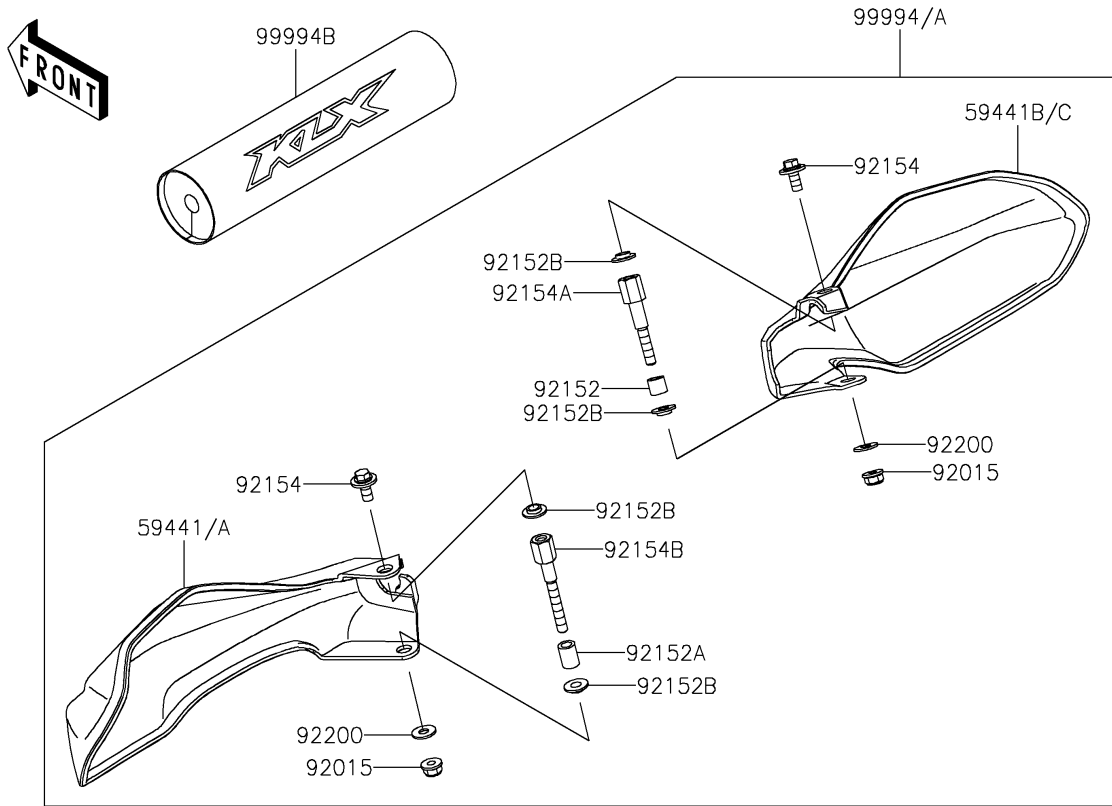


# 2026 KLX300R

## PARTS DIAGRAM

### Accessory

F2910



# 2026 KLX300R

## PARTS LIST

### Accessory

ITEM NAME	PART NUMBER	QUANTITY
HOLDER-HANDLE,UPP,FAT BAR,BLK (Ref # 46012)	46012-0020-18R	2
HOLDER-HANDLE,LWR,FAT BAR,BLK (Ref # 46012A)	46012-0413-18R	2
COVER-HANDLE,LH,EBONY (Ref # 59441A)	59441-0047-6C	1
COVER-HANDLE,RH,EBONY (Ref # 59441C)	59441-0048-6C	1
NUT,LOCK,FLANGED,6MM (Ref # 92015)	92015-1603	2
COLLAR,6.5X10.5X9.3 (Ref # 92152)	92152-1992	1
COLLAR,6.5X10.5X14 (Ref # 92152A)	92152-2302	1
COLLAR,6.5X15X3.4 (Ref # 92152B)	92152-2314	4
BOLT,FLANGED,6X14 (Ref # 92154)	92154-1231	2
BOLT (Ref # 92154A)	92154-1670	1
BOLT (Ref # 92154B)	92154-3974	1
WASHER,6.2X15X1.2 (Ref # 92200)	92200-1762	2
HAND COVER,EBONY (Ref # 99994A)	99994-1272-6C	1
HANDLE-BAR PAD (Ref # 99994B)	99994-1274	1
FAT TYPE HANDLE BAR,P.SILVER (Ref # 99994C)	99994-1471-458	1
BOLT-FLANGED-SMALL,8X35 (Ref # 132)	132BA0835	4