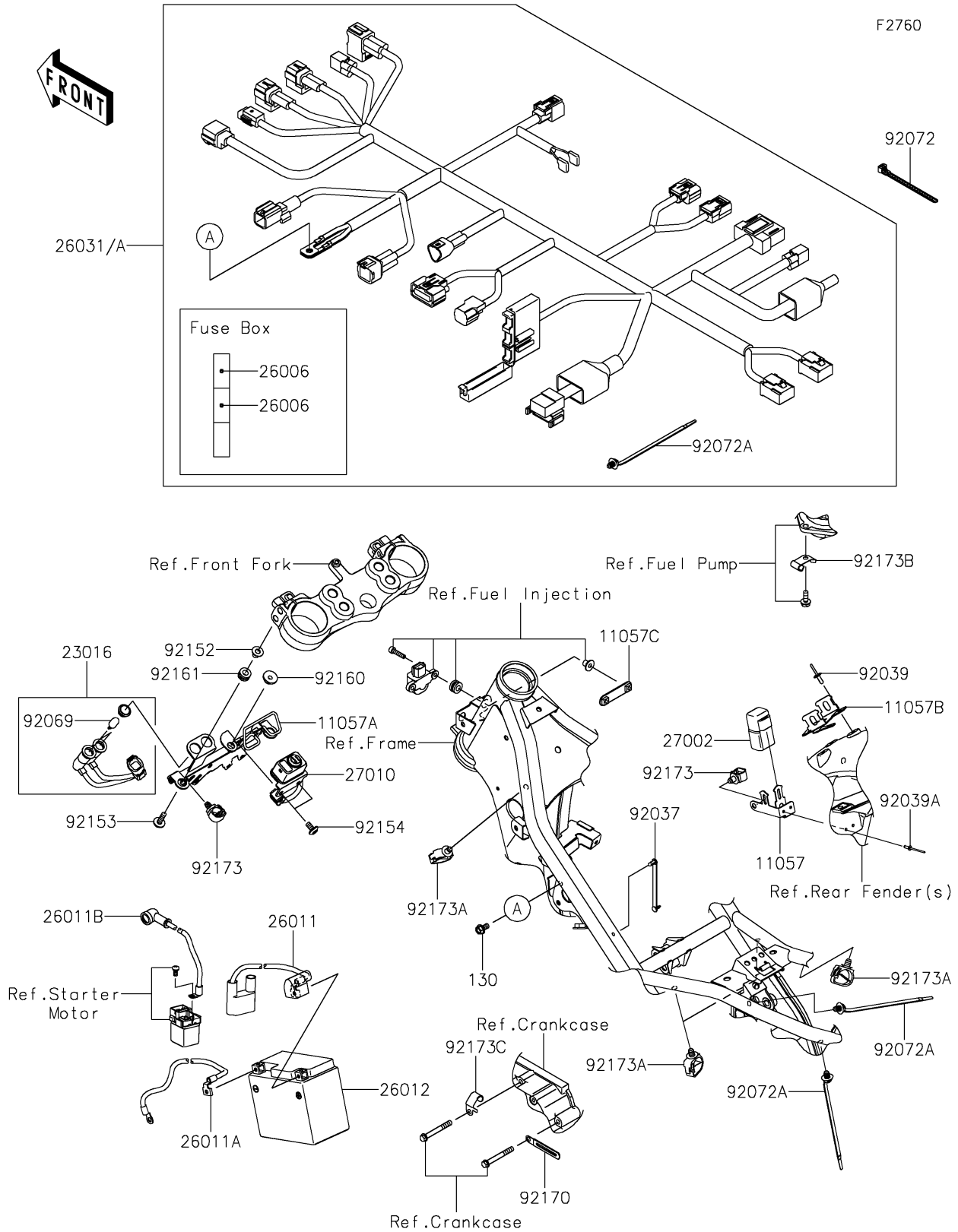


2026 KLX300R

PARTS DIAGRAM

Chassis Electrical Equipment



2026 KLX300R

PARTS LIST

Chassis Electrical Equipment

ITEM NAME	PART NUMBER	QUANTITY
BRACKET,RELAY (Ref # 11057)	11057-2300	1
BRACKET,FR CONNECTOR (Ref # 11057A)	11057-2301	1
BRACKET,ECU (Ref # 11057B)	11057-2302	1
BRACKET,VEHICLE-DOWN (Ref # 11057C)	11057-2303	1
LAMP-ASSY,INDICATOR (Ref # 23016)	23016-0638	1
FUSE,MINI BLADE,15A,BLUE (Ref # 26006)	26006-0001	2
WIRE-LEAD,BATTERY(+) (Ref # 26011)	26011-1875	1
WIRE-LEAD,BATTERY(-) (Ref # 26011A)	26011-1876	1
WIRE-LEAD,STARTER (Ref # 26011B)	26011-1877	1
BATTERY,FTZ6V,12V 5AH (Ref # 26012)	26012-0908	1
RELAY-ASSY (Ref # 27002)	27002-1086	1
SWITCH,IGNITION (Ref # 27010)	27010-0929	1
CLAMP,SPEED,L=80.5 (Ref # 92037)	92037-1903	1
RIVET (Ref # 92039)	92039-0039	3
RIVET,3.2X9.5 (Ref # 92039A)	92039-0752	2
BULB,12V 3.4W,T10 (Ref # 92069)	92069-1007	2
BAND,L=140 (Ref # 92072)	92072-1293	2
BAND,OS170-FT7(BLACK) (Ref # 92072A)	92072-1414	AR
COLLAR,6.3X8.3X9.8 (Ref # 92152)	92152-2697	2
BOLT,FLANGED,6X22 (Ref # 92153)	92153-0950	2
BOLT,SOCKET,6X12 (Ref # 92154)	92154-0951	2
DAMPER (Ref # 92160)	92160-1613	1
DAMPER,8X16X8.6 (Ref # 92161)	92161-0685	2
CLAMP (Ref # 92170)	92170-1514	1
CLAMP,12MM DIA. (Ref # 92173)	92173-0736	2
CLAMP (Ref # 92173A)	92173-0861	4
CLAMP (Ref # 92173B)	92173-2202	1
CLAMP (Ref # 92173C)	92173-2289	1
BOLT-FLANGED,6X12 (Ref # 130)	130BB0612	1