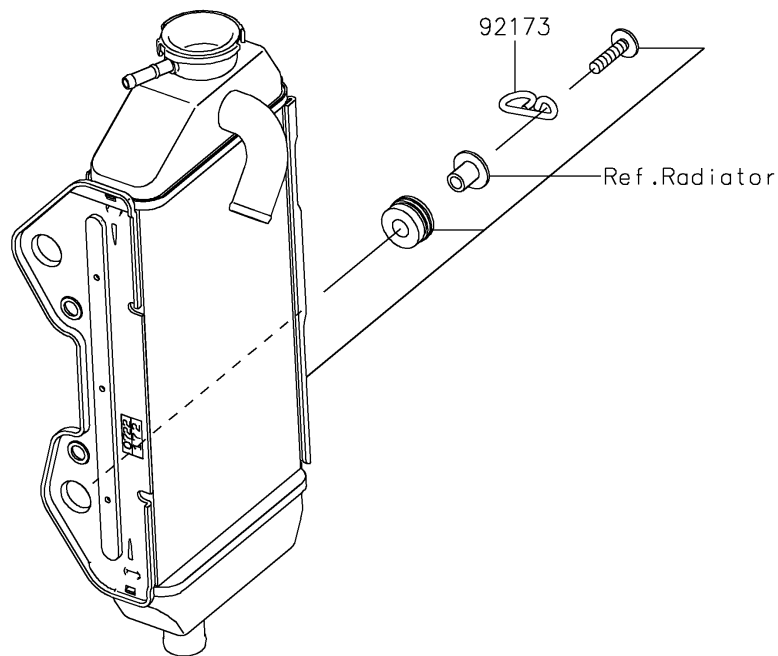
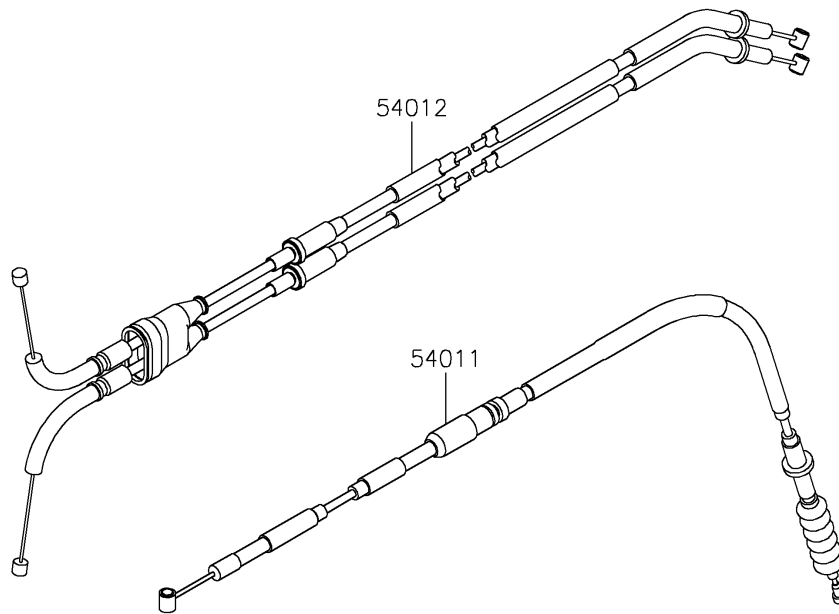


# 2024 KLX<sup>®</sup> 300R

## PARTS DIAGRAM

### Cables

F2540



# 2024 KLX<sup>®</sup> 300R

## PARTS LIST

### Cables

ITEM NAME	PART NUMBER	QUANTITY
CABLE-CLUTCH (Ref # 54011)	54011-0651	1
CABLE-THROTTLE (Ref # 54012)	54012-0711	1
CLAMP,CLUTCH CABLE (Ref # 92173)	92173-2205	1