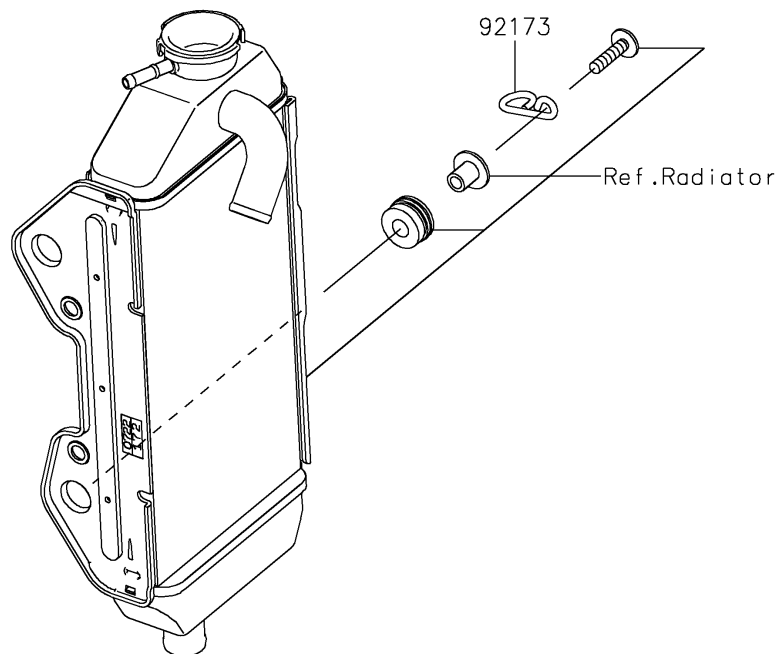
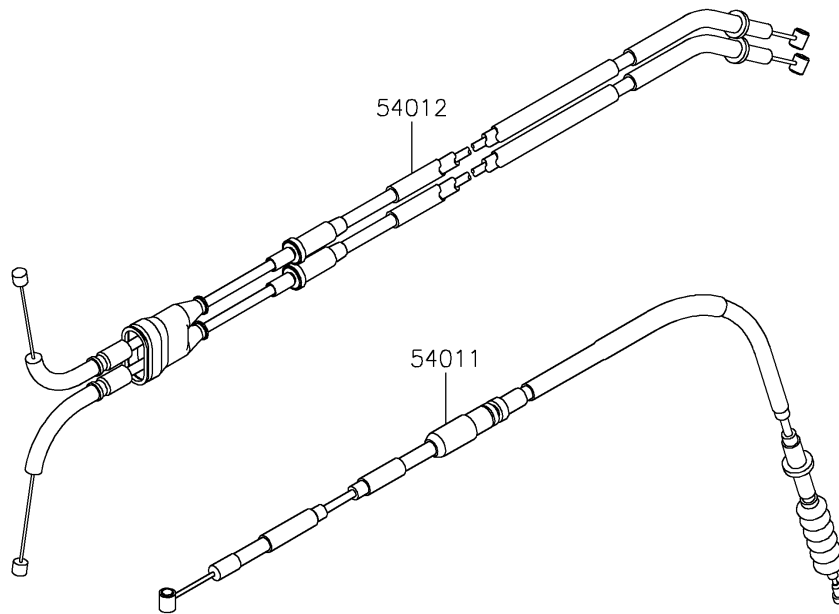


# 2026 KLX300R

## PARTS DIAGRAM

### Cables

F2540



# 2026 KLX300R

## PARTS LIST

### Cables

| ITEM NAME                        | PART NUMBER | QUANTITY |
|----------------------------------|-------------|----------|
| CABLE-CLUTCH (Ref # 54011)       | 54011-0651  | 1        |
| CABLE-THROTTLE (Ref # 54012)     | 54012-0711  | 1        |
| CLAMP,CLUTCH CABLE (Ref # 92173) | 92173-2205  | 1        |