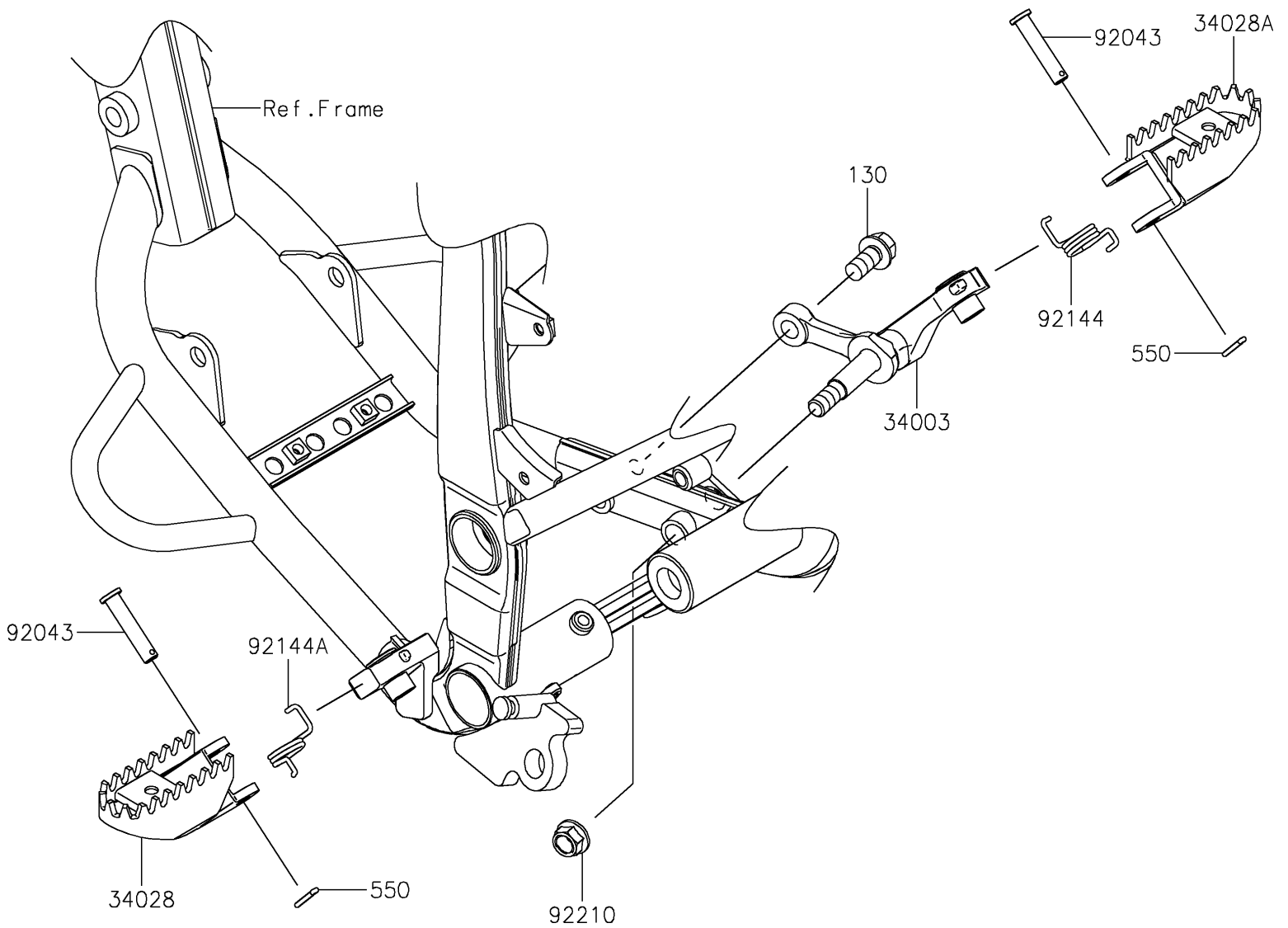


# 2026 KLX300R

## PARTS DIAGRAM

### Footrests

F2160



# 2026 KLX300R

## PARTS LIST

### Footrests

ITEM NAME	PART NUMBER	QUANTITY
HOLDER-STEP,RH,P.SILVER (Ref # 34003)	34003-0084-458	1
STEP,LH (Ref # 34028)	34028-1361	1
STEP,RH (Ref # 34028A)	34028-1362	1
PIN,8X35.5 (Ref # 92043)	92043-115	2
SPRING,STEP RETURN,RH (Ref # 92144)	92144-1685	1
SPRING,STEP RETURN,LH (Ref # 92144A)	92144-1749	1
NUT,LOCK,FLANGED,10MM (Ref # 92210)	92210-1080	1
BOLT-FLANGED,10X20 (Ref # 130)	130CA1020	1
PIN-COTTER,2.5X15 (Ref # 550)	550AA2515	2