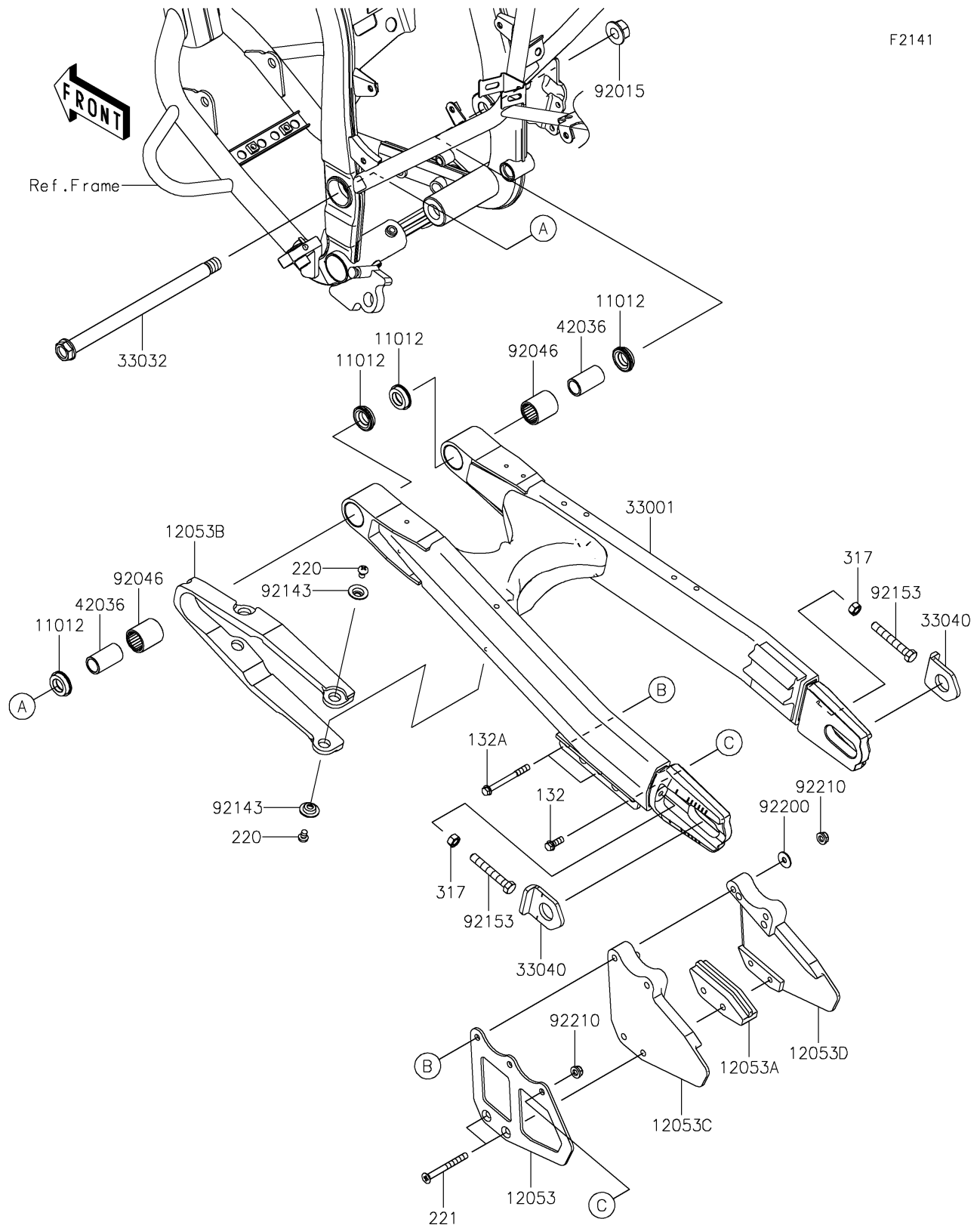


2026 KLX300R

PARTS DIAGRAM

Swingarm



F2141

2026 KLX300R

PARTS LIST

Swingarm

| ITEM NAME | PART NUMBER | QUANTITY |
|---|----------------|----------|
| CAP,SWING ARM (Ref # 11012) | 11012-1259 | 4 |
| GUIDE-CHAIN,RR,OUTSIDE (Ref # 12053) | 12053-1268 | 1 |
| GUIDE-CHAIN,DRIVE,RR,INSIDE (Ref # 12053A) | 12053-1270 | 1 |
| GUIDE-CHAIN,DRIVE,FR (Ref # 12053B) | 12053-1328 | 1 |
| GUIDE-CHAIN,DRIVE,RR,OUTSIDE (Ref # 12053C) | 12053-1453 | 1 |
| GUIDE-CHAIN,DRIVE,RR,INSIDE (Ref # 12053D) | 12053-1454 | 1 |
| ARM-COMP-SWING,P.SILVER (Ref # 33001) | 33001-0710-458 | 1 |
| SHAFT-SWING ARM (Ref # 33032) | 33032-0033 | 1 |
| ADJUSTER-CHAIN (Ref # 33040) | 33040-0023 | 2 |
| SLEEVE,SWING ARM (Ref # 42036) | 42036-1064 | 2 |
| NUT,14MM (Ref # 92015) | 92015-1407 | 1 |
| BEARING-NEEDLE (Ref # 92046) | 92046-0038 | 2 |
| COLLAR (Ref # 92143) | 92143-1156 | 4 |
| BOLT,8X55 (Ref # 92153) | 92153-1407 | 2 |
| WASHER,6.2X18X1.2 (Ref # 92200) | 92200-1889 | 2 |
| NUT,LOCK,FLANGED,6MM (Ref # 92210) | 92210-0303 | 3 |
| BOLT-FLANGED-SMALL,6X16 (Ref # 132) | 132BA0616 | 1 |
| BOLT-FLANGED-SMALL,6X60 (Ref # 132A) | 132BA0660 | 2 |
| SCREW-PAN-CROS,6X8 (Ref # 220) | 220AA0608 | 4 |
| SCREW-CSK-CROS,6X50 (Ref # 221) | 221AA0650 | 2 |
| NUT-HEX-SMALL,8MM (Ref # 317) | 317BA0800 | 2 |