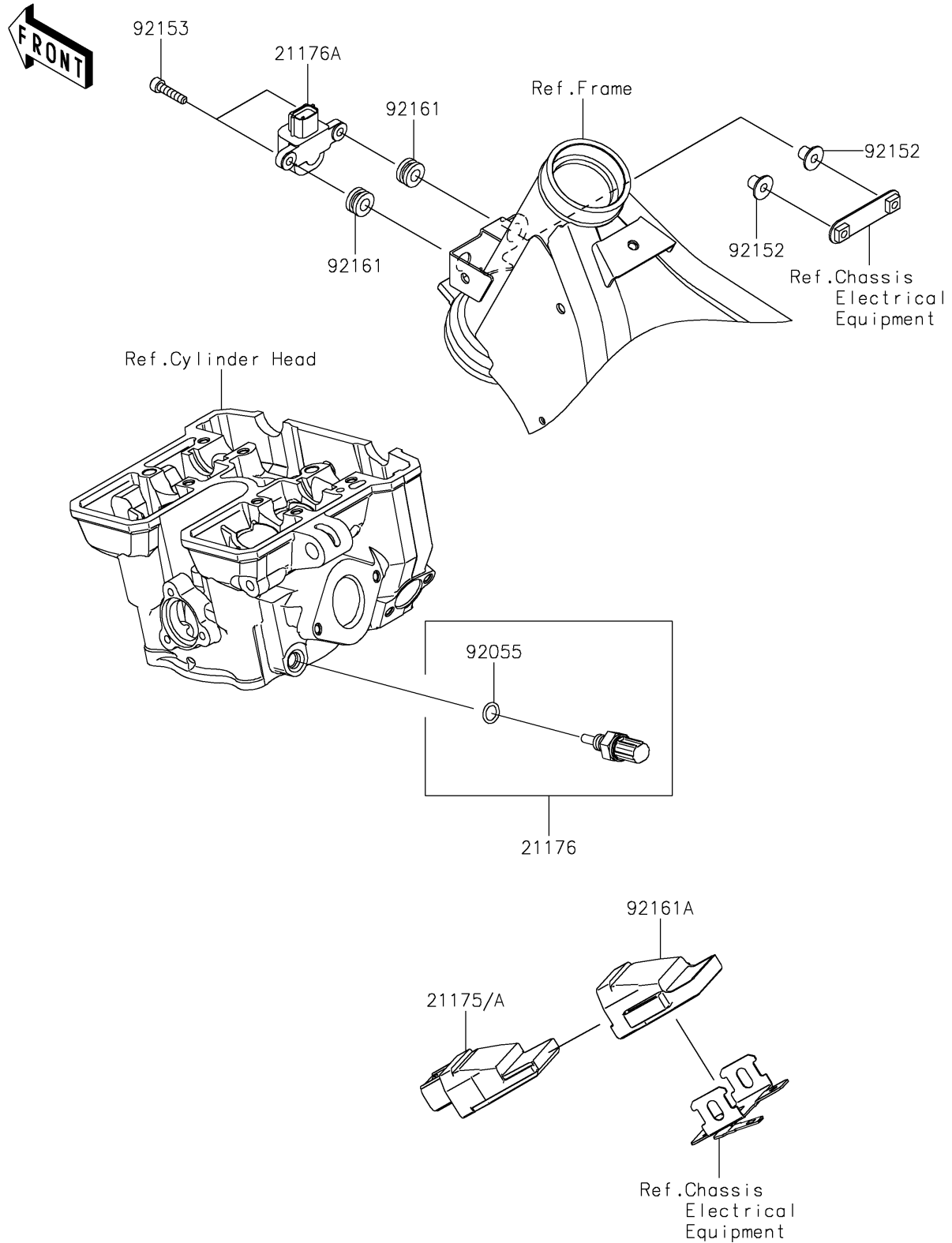


2026 KLX300R

PARTS DIAGRAM

Fuel Injection

E1530



2026 KLX300R

PARTS LIST

Fuel Injection

Kawasaki

Let the Good Times Roll®

ITEM NAME	PART NUMBER	QUANTITY
SENSOR,WATER TEMP (Ref # 21176)	21176-0009	1
SENSOR,VEHICLE-DOWN (Ref # 21176A)	21176-0026	1
RING-O,9.5X1.9 (Ref # 92055)	92055-0016	1
COLLAR (Ref # 92152)	92152-1592	2
BOLT,SOCKET,5X22 (Ref # 92153)	92153-1597	2
DAMPER,8X16X8.6 (Ref # 92161)	92161-0685	2
DAMPER,ECU (Ref # 92161A)	92161-2200	1