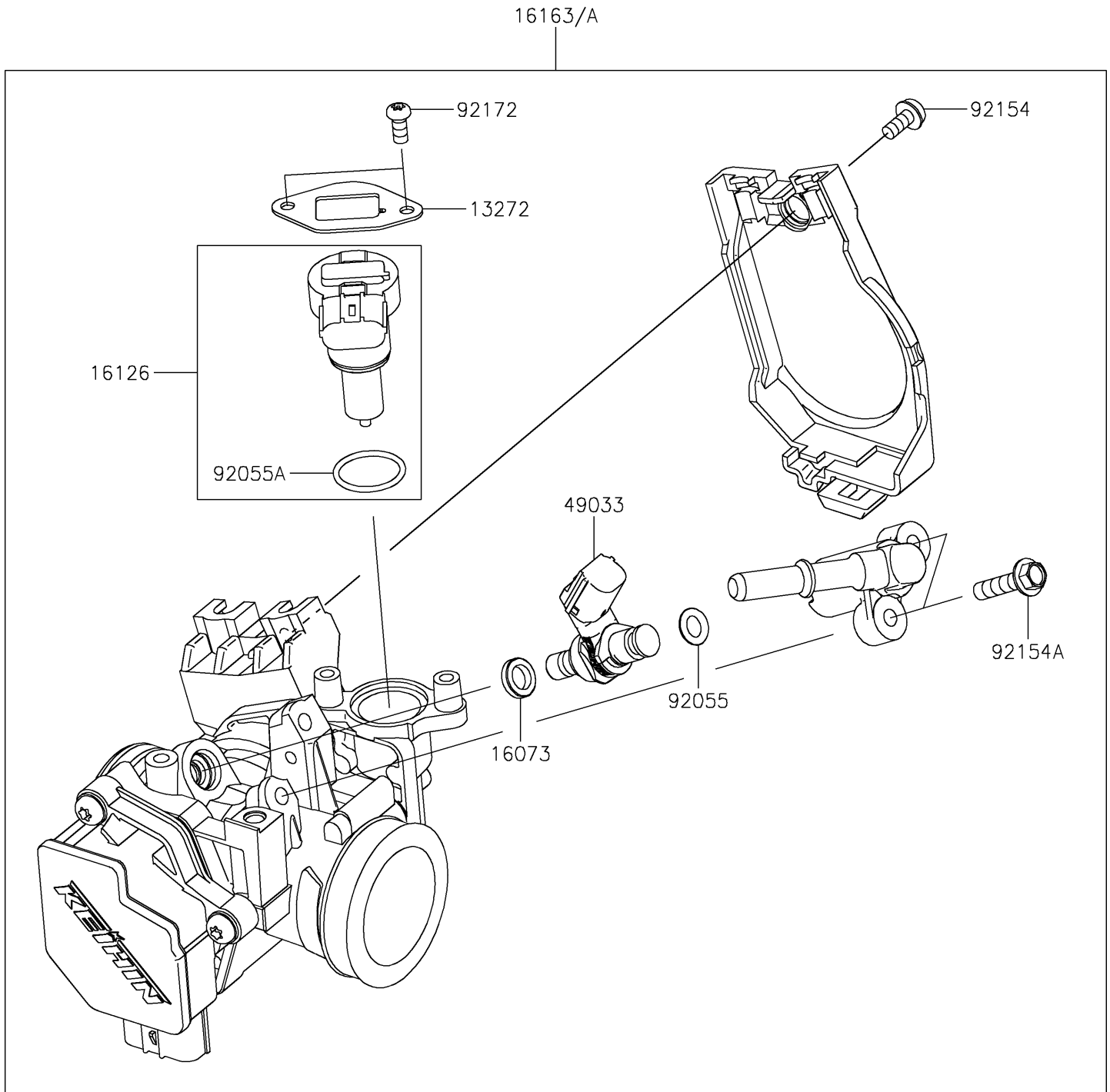


# 2026 KLX<sup>®</sup> 300R

## PARTS DIAGRAM

### Throttle

E1510



# 2026 KLX<sup>®</sup> 300R

## PARTS LIST

### Throttle

| ITEM NAME                        | PART NUMBER | QUANTITY |
|----------------------------------|-------------|----------|
| PLATE (Ref # 13272)              | 13272-1862  | 1        |
| INSULATOR (Ref # 16073)          | 16073-0821  | 1        |
| VALVE,ISC (Ref # 16126)          | 16126-0729  | 1        |
| NOZZLE-INJECTION (Ref # 49033)   | 49033-0566  | 1        |
| RING-O,6.3X2.2 (Ref # 92055)     | 92055-0821  | 1        |
| RING-O (Ref # 92055A)            | 92055-0826  | 1        |
| BOLT (Ref # 92154)               | 92154-0133  | 1        |
| BOLT,FLANGED,5X20 (Ref # 92154A) | 92154-1559  | 2        |
| SCREW,TORX (Ref # 92172)         | 92172-0903  | 2        |