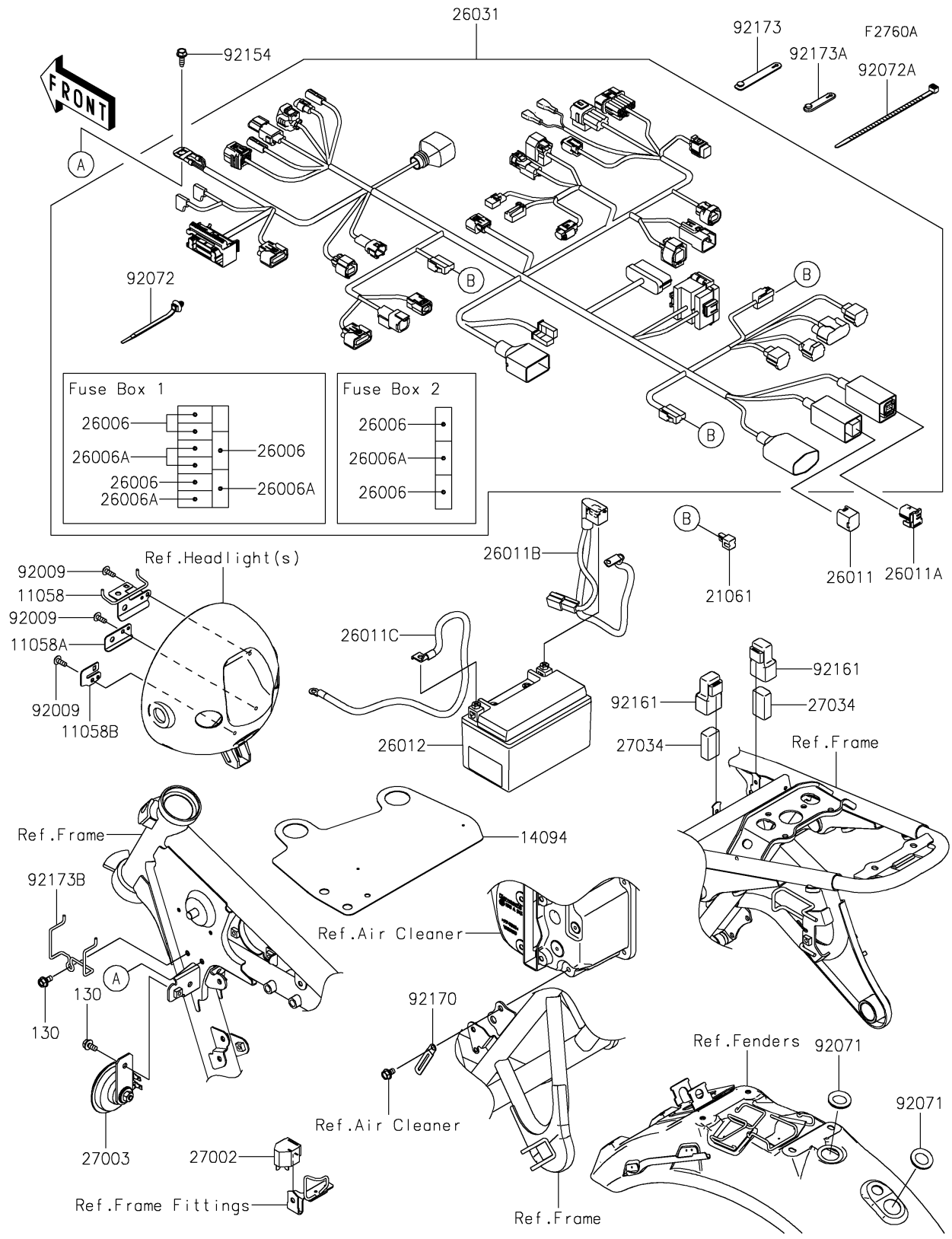


# 2026 W230 ABS

## PARTS DIAGRAM

### Chassis Electrical Equipment(ATFAL)



# 2026 W230 ABS

## PARTS LIST

Chassis Electrical Equipment(ATFAL)

**ITEM NAME**

**PART NUMBER**

**QUANTITY**

---