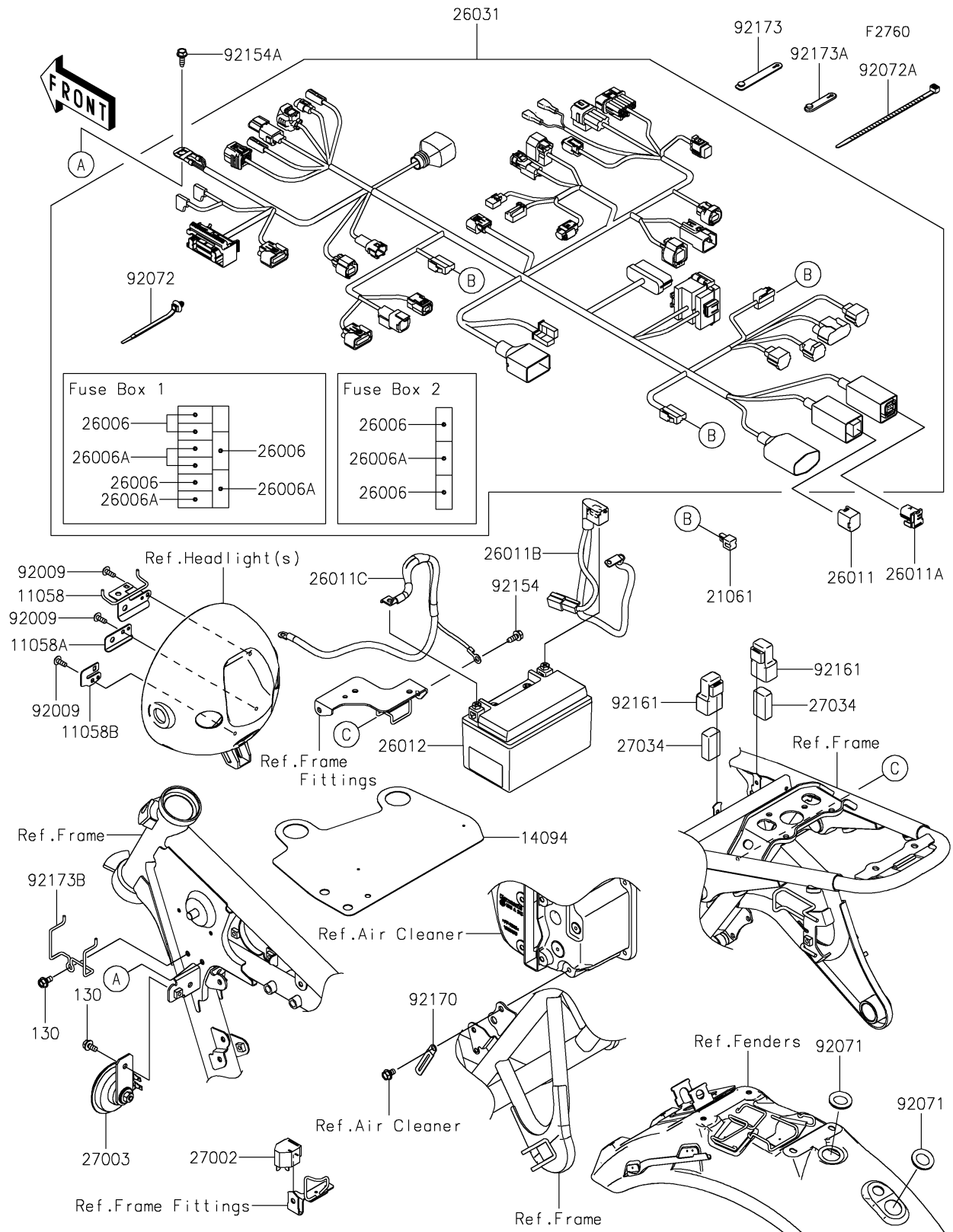


2026 W230 ABS

PARTS DIAGRAM

Chassis Electrical Equipment(ASFAN/ASFAL



2026 W230 ABS

PARTS LIST

Chassis Electrical Equipment(ASFAN/ASFAL

ITEM NAME

PART NUMBER

QUANTITY
