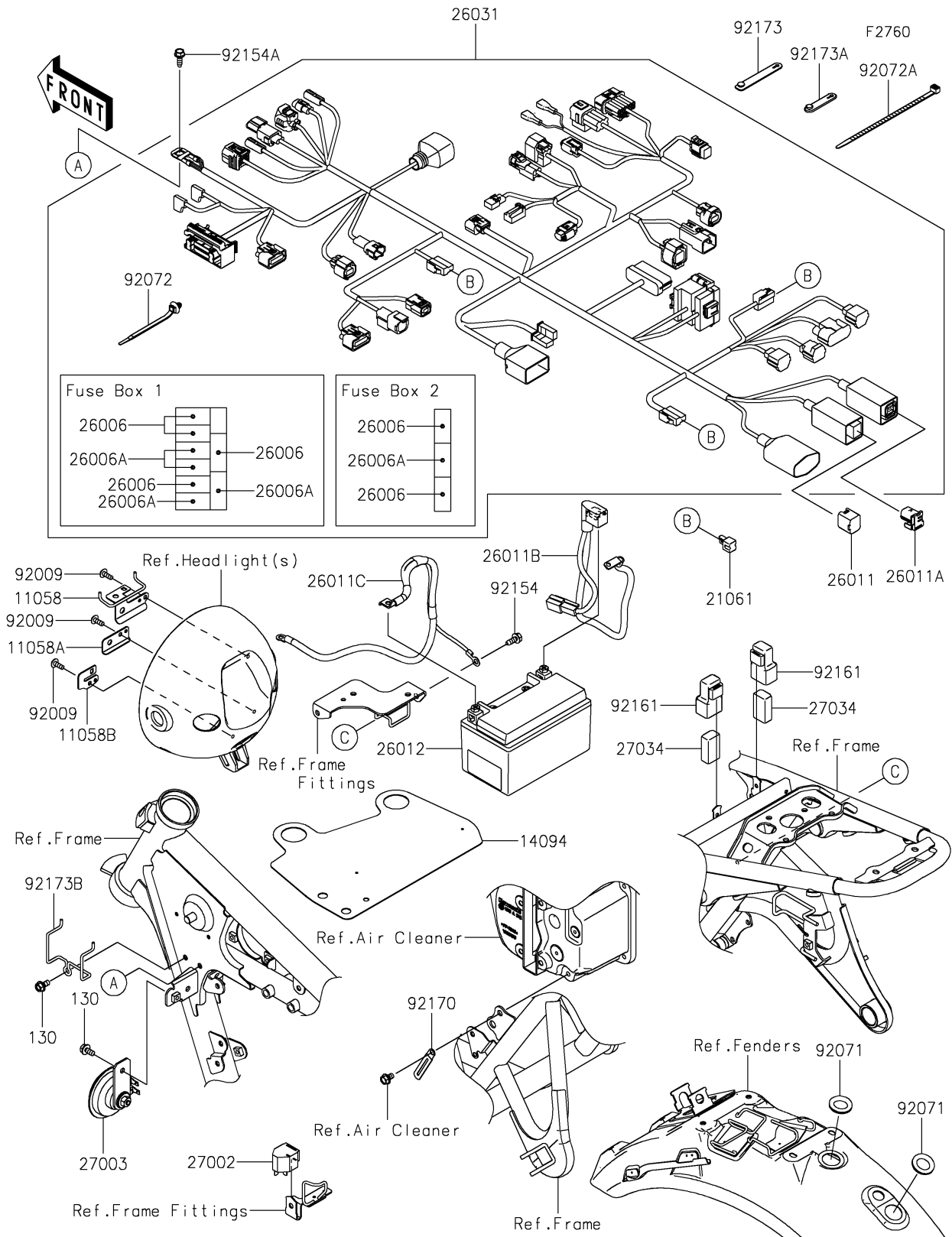


2025 W230

PARTS DIAGRAM

Chassis Electrical Equipment(ASFAN/ASFAL



2025 W230

PARTS LIST

Chassis Electrical Equipment(ASFAN/ASFAL

ITEM NAME

PART NUMBER

QUANTITY
