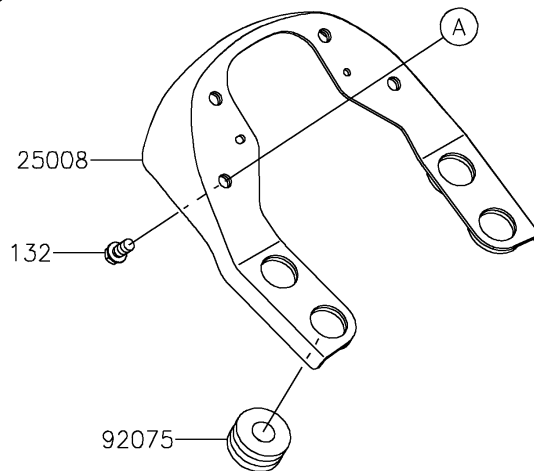
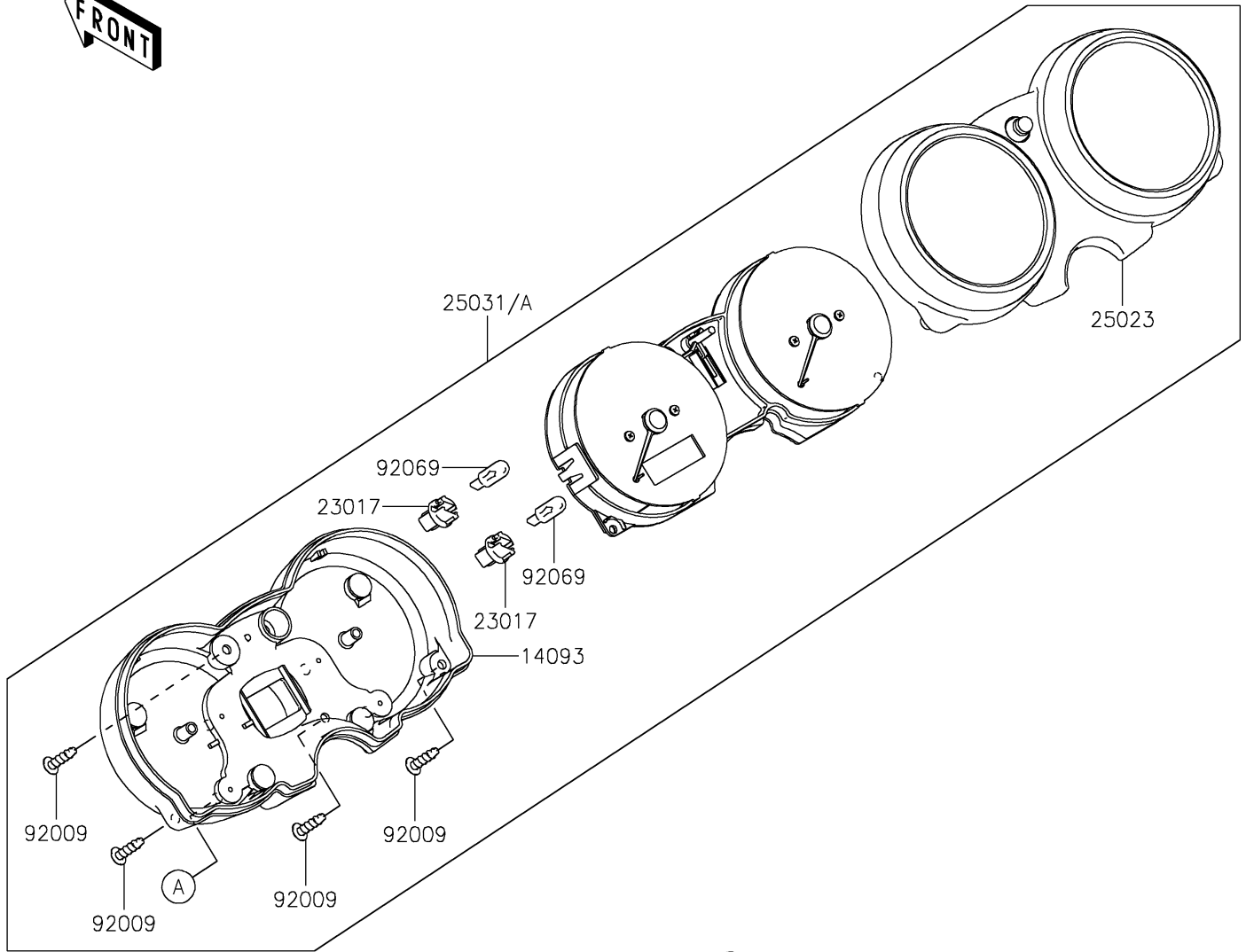


2026 W230 ABS

PARTS DIAGRAM

Meter(s)

F2530



2026 W230 ABS

PARTS LIST

Meter(s)

ITEM NAME

PART NUMBER

QUANTITY
