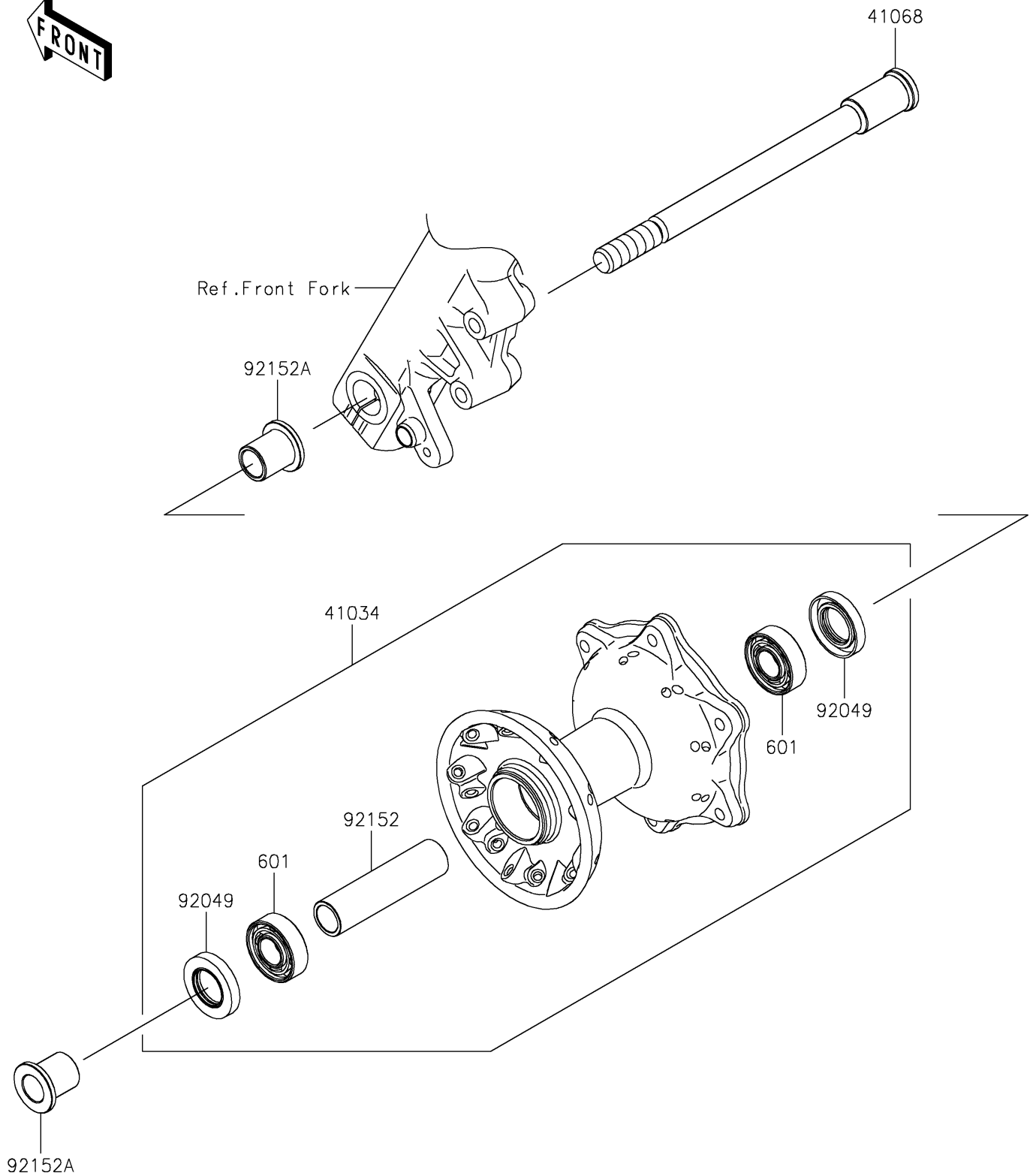


# 2026 W230 ABS

## PARTS DIAGRAM

### Front Wheel

F2230



# 2026 W230 ABS

## PARTS LIST

### Front Wheel



ITEM NAME	PART NUMBER	QUANTITY
-----------	-------------	----------

---