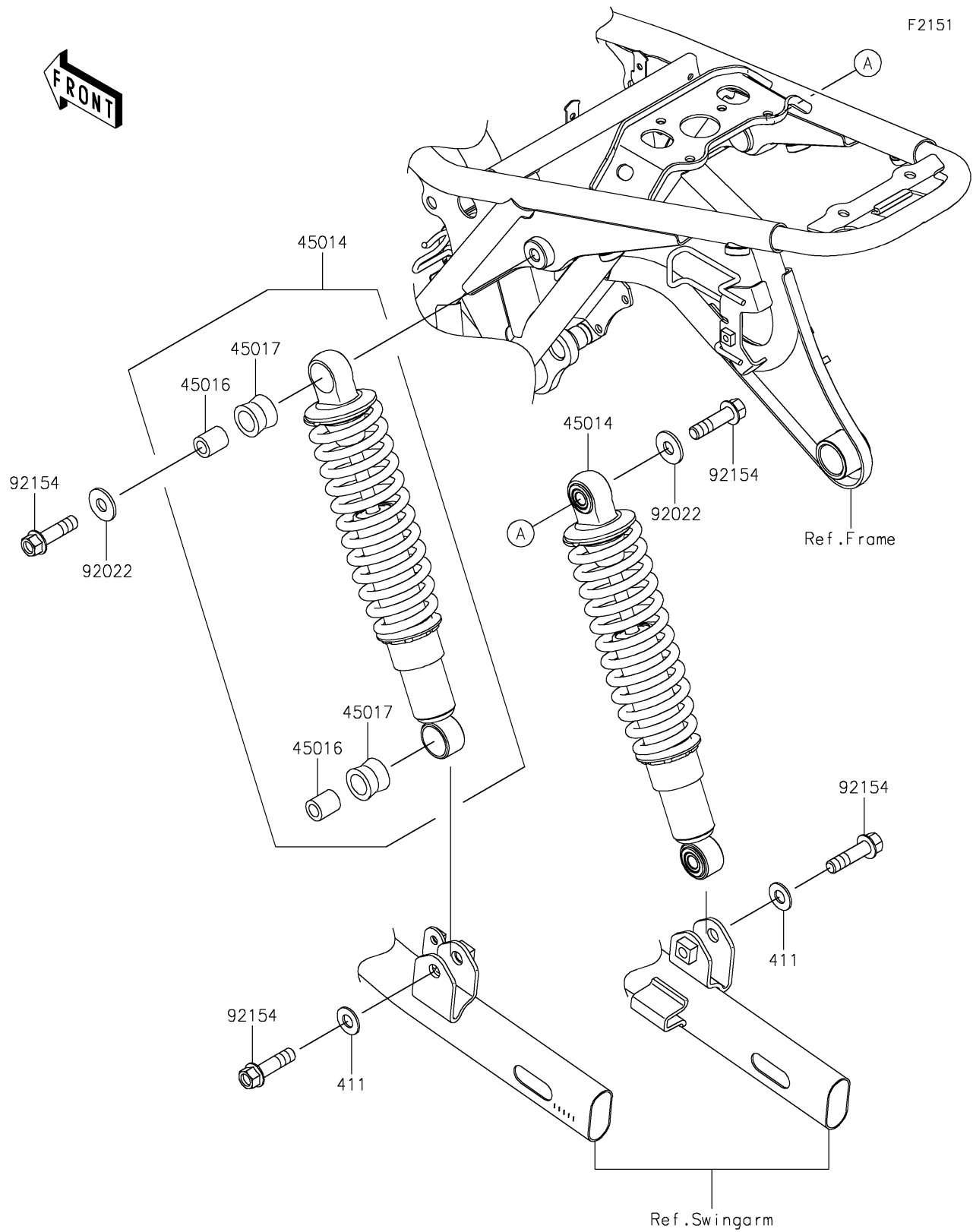


# 2026 W230 ABS

## PARTS DIAGRAM

### Suspension/Shock Absorber



# 2026 W230 ABS

## PARTS LIST

Suspension/Shock Absorber

**ITEM NAME**

**PART NUMBER**

**QUANTITY**

---