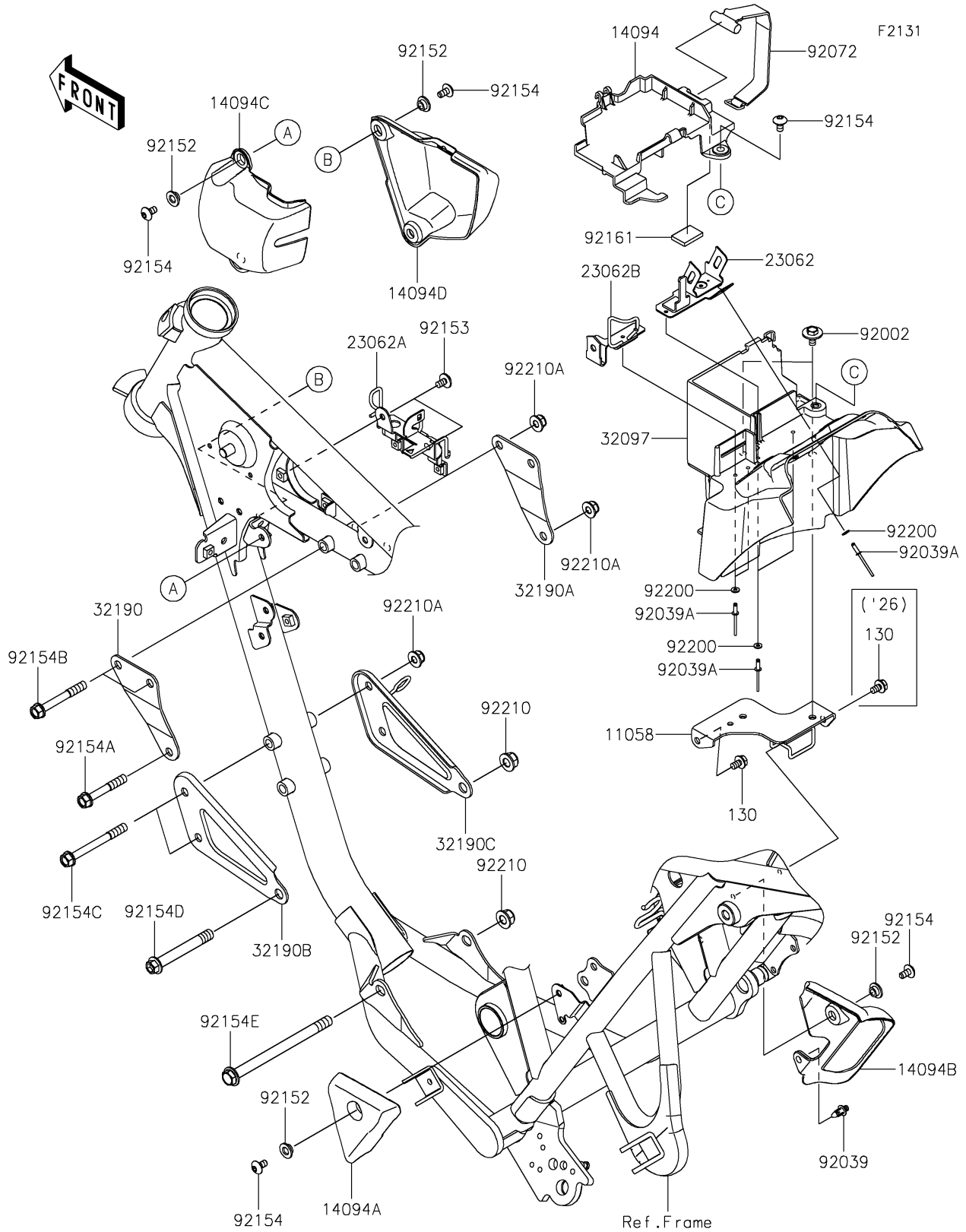


# 2025 W230

## PARTS DIAGRAM

### Frame Fittings



# 2025 W230

## PARTS LIST Frame Fittings

ITEM NAME	PART NUMBER	QUANTITY
-----------	-------------	----------

---