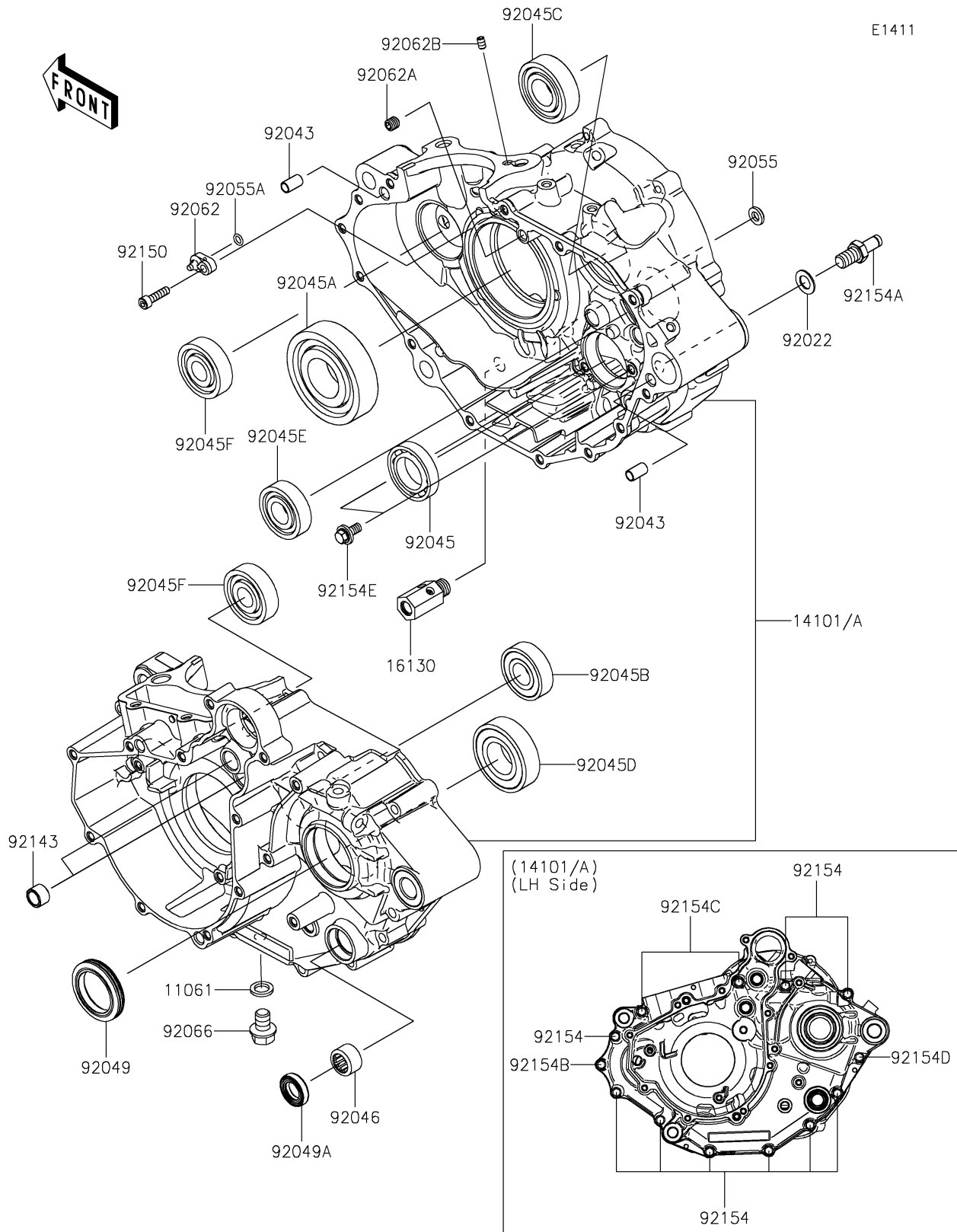


2026 W230 ABS

PARTS DIAGRAM

Crankcase



2026 W230 ABS

PARTS LIST

Crankcase

ITEM NAME

PART NUMBER

QUANTITY
