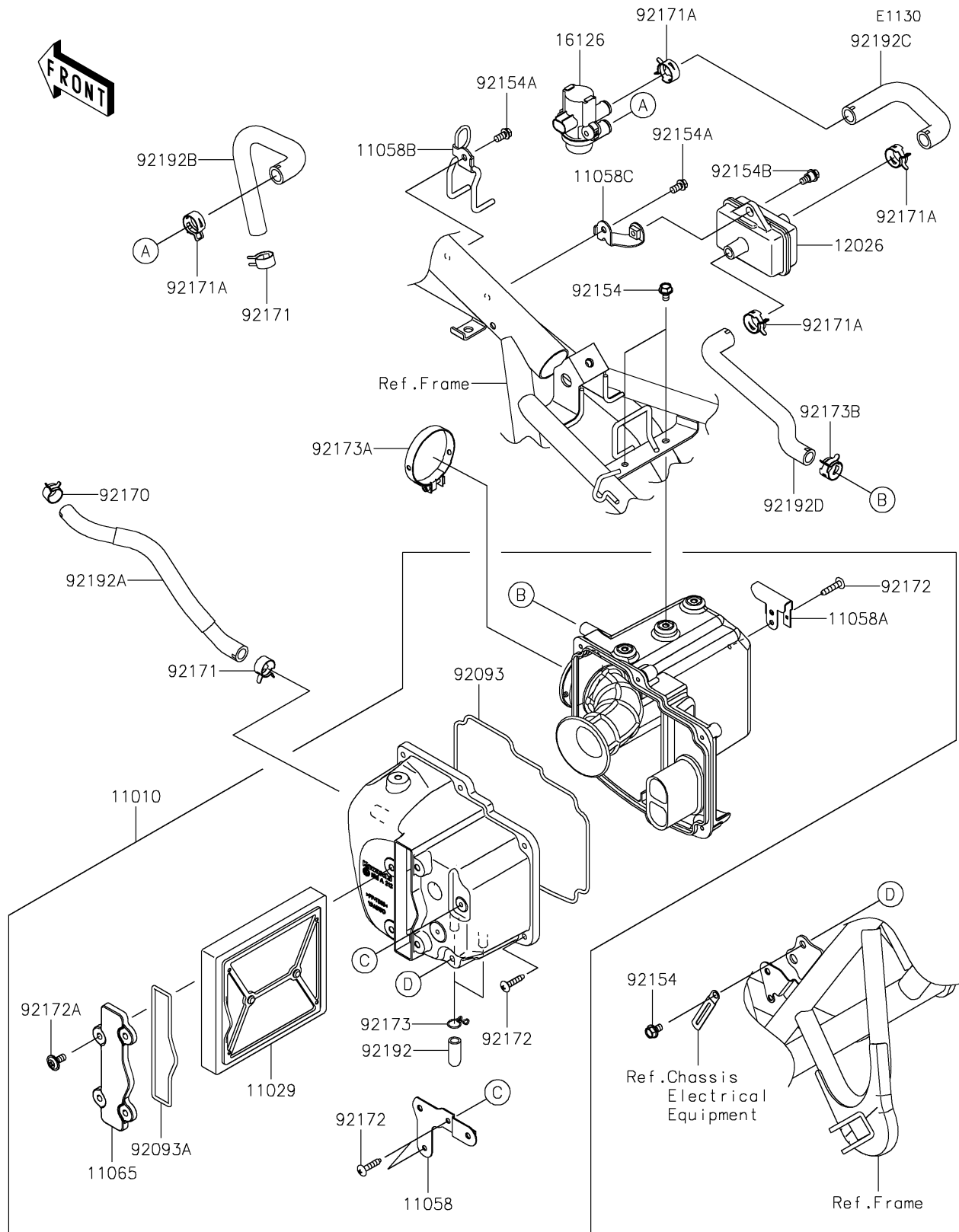


# 2026 W230 ABS

## PARTS DIAGRAM

### Air Cleaner



# 2026 W230 ABS

## PARTS LIST

Air Cleaner

**ITEM NAME**

**PART NUMBER**

**QUANTITY**

---