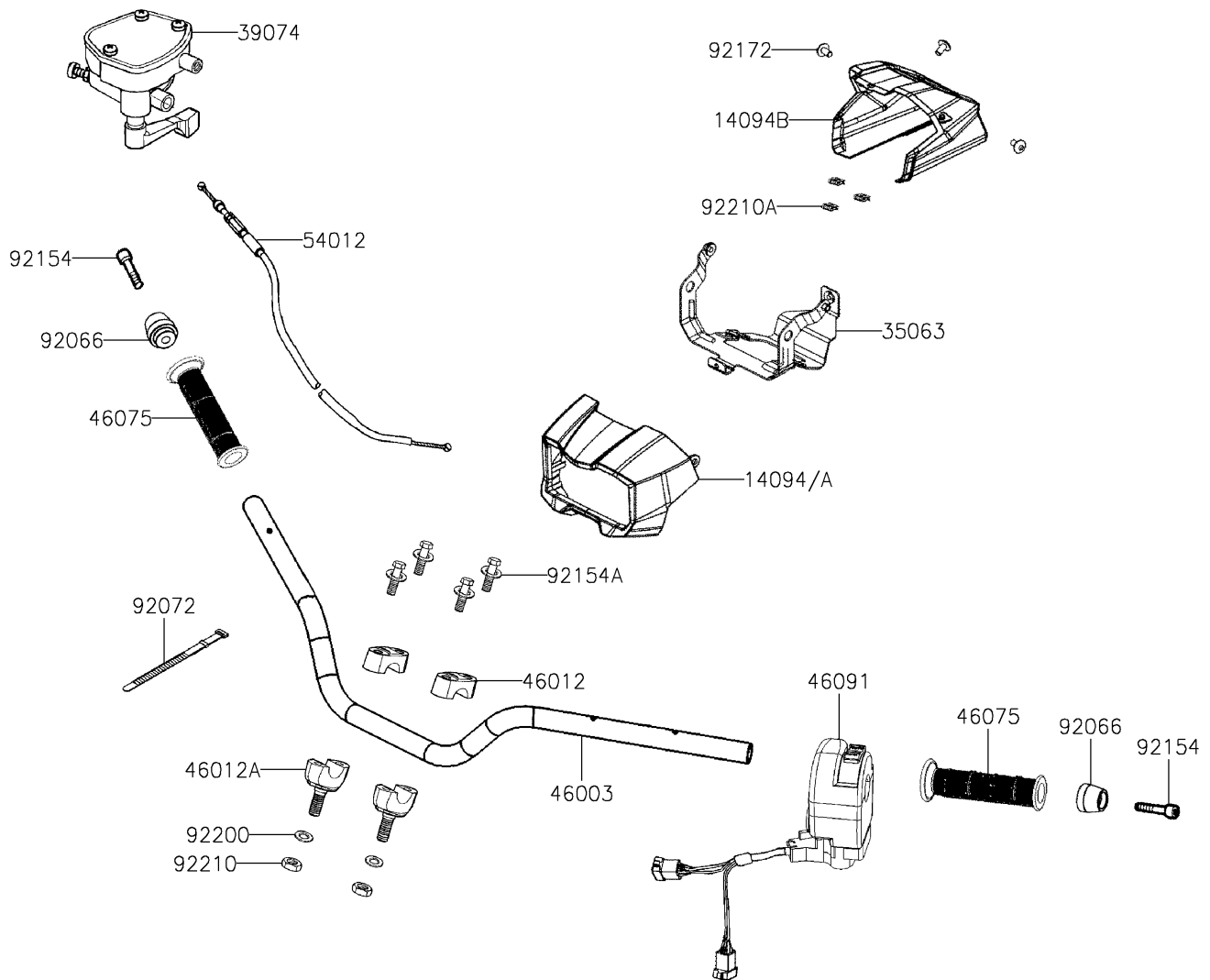


# 2026 BRUTE FORCE® 300

## PARTS DIAGRAM

### Handlebar

F2310



# 2026 BRUTE FORCE® 300

## PARTS LIST

### Handlebar

ITEM NAME	PART NUMBER	QUANTITY
COVER,WORKING LAMP,F.RED (Ref # 14094)	14094-Y012-947	1
COVER,WORKING LAMP,G.BLUE (Ref # 14094A)	14094-Y012-984	1
COVER,METER,S.BLACK (Ref # 14094B)	14094-Y013-933	1
STAY (Ref # 35063)	35063-Y064	1
LEVER-ASSY-THROTTLE (Ref # 39074)	39074-Y001	1
HANDLE,BLACK (Ref # 46003)	46003-Y002-935	1
HOLDER-HANDLE,UPP (Ref # 46012)	46012-Y004	2
HOLDER-HANDLE,LWR (Ref # 46012A)	46012-Y005	2
GRIP,HANDLE (Ref # 46075)	46075-Y004	2
HOUSING-ASSY-CONTROL (Ref # 46091)	46091-Y007	1
CABLE-THROTTLE (Ref # 54012)	54012-Y010	1
PLUG,HANDLE (Ref # 92066)	92066-Y010	2
BAND (Ref # 92072)	92072-Y001	1
BOLT,8X42 (Ref # 92154)	92154-Y017	2
BOLT,8X35 (Ref # 92154A)	92154-Y018	4
SCREW,PAN,6X12 (Ref # 92172)	92172-Y109	3
WASHER,10MM (Ref # 92200)	92200-Y020	2
NUT,10MM (Ref # 92210)	92210-Y042	2
NUT,5MM (Ref # 92210A)	92210-Y072	3