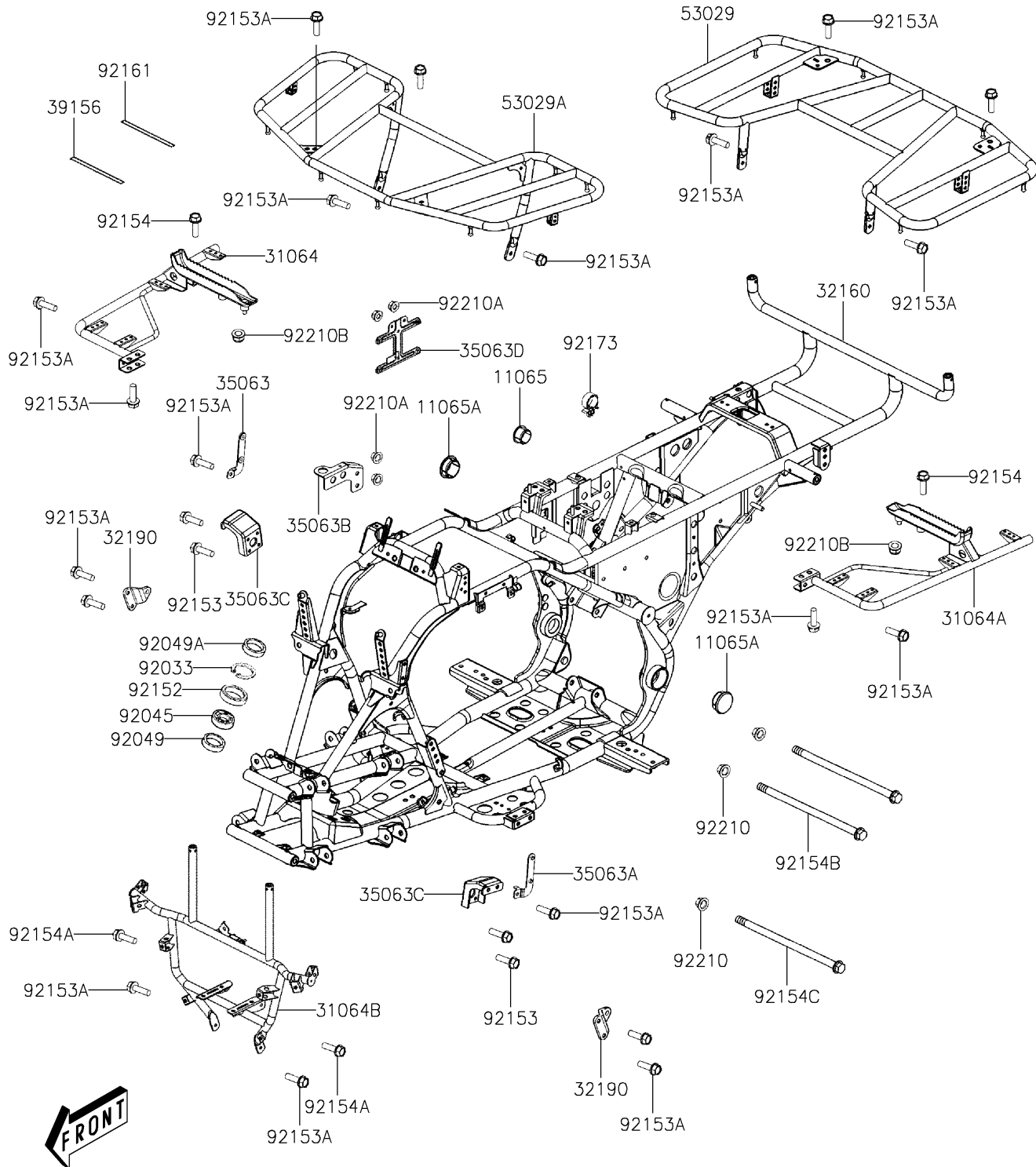


# 2026 BRUTE FORCE® 300

## PARTS DIAGRAM

### Frame

F2120



# 2026 BRUTE FORCE® 300

## PARTS LIST

### Frame

ITEM NAME	PART NUMBER	QUANTITY
CAP,PIPE (Ref # 11065)	11065-Y019	1
CAP,PIPE (Ref # 11065A)	11065-Y020	2
PIPE-COMP,FLOOR PANEL,RH (Ref # 31064)	31064-Y005	1
PIPE-COMP,FLOOR PANEL,LH (Ref # 31064A)	31064-Y006	1
PIPE-COMP,FR BUMPER,P.C.BLACK (Ref # 31064B)	31064-Y027-945	1
FRAME-COMP,MAIN (Ref # 32160)	32160-Y015	1
BRACKET-ENGINE (Ref # 32190)	32190-Y003	2
STAY,SIDE COVER,RH (Ref # 35063)	35063-Y010	1
STAY,SIDE COVER,LH (Ref # 35063A)	35063-Y011	1
STAY,STOP SWICTH (Ref # 35063B)	35063-Y012	1
STAY,FR CARRIER (Ref # 35063C)	35063-Y013	2
STAY,ECU (Ref # 35063D)	35063-Y063	1
PAD,FUEL TANK (Ref # 39156)	39156-Y001	1
CARRIER,RR,P.C.BLACK (Ref # 53029)	53029-Y010-945	1
CARRIER,FR,P.C.BLACK (Ref # 53029A)	53029-Y011-945	1
RING-SNAP (Ref # 92033)	92033-Y026	1
BEARING-BALL,6203 (Ref # 92045)	92045-Y030	1
SEAL-OIL,22X35X7 (Ref # 92049)	92049-Y005	1
SEAL-OIL,27X40X6 (Ref # 92049A)	92049-Y023	1
COLLAR (Ref # 92152)	92152-Y025	1
BOLT,FLANGE,6X12 (Ref # 92153)	92153-Y023	4
BOLT,FLANGE,8X16 (Ref # 92153A)	92153-Y032	20
BOLT,FLANGE,8X35 (Ref # 92154)	92154-Y021	2
BOLT,FLANGE,8X25 (Ref # 92154A)	92154-Y046	2
BOLT,FLANGE,10X85 (Ref # 92154B)	92154-Y047	2
BOLT,FLANGE,10X160 (Ref # 92154C)	92154-Y048	1
DAMPER,FUEL TANK (Ref # 92161)	92161-Y016	1
CLAMP,FUEL PIPE (Ref # 92173)	92173-Y027	1
NUT,10MM (Ref # 92210)	92210-Y009	3

# 2026 BRUTE FORCE<sup>®</sup> 300

## PARTS LIST

### Frame

ITEM NAME	PART NUMBER	QUANTITY
NUT,6MM (Ref # 92210A)	92210-Y026	4
NUT,8MM (Ref # 92210B)	92210-Y028	2