

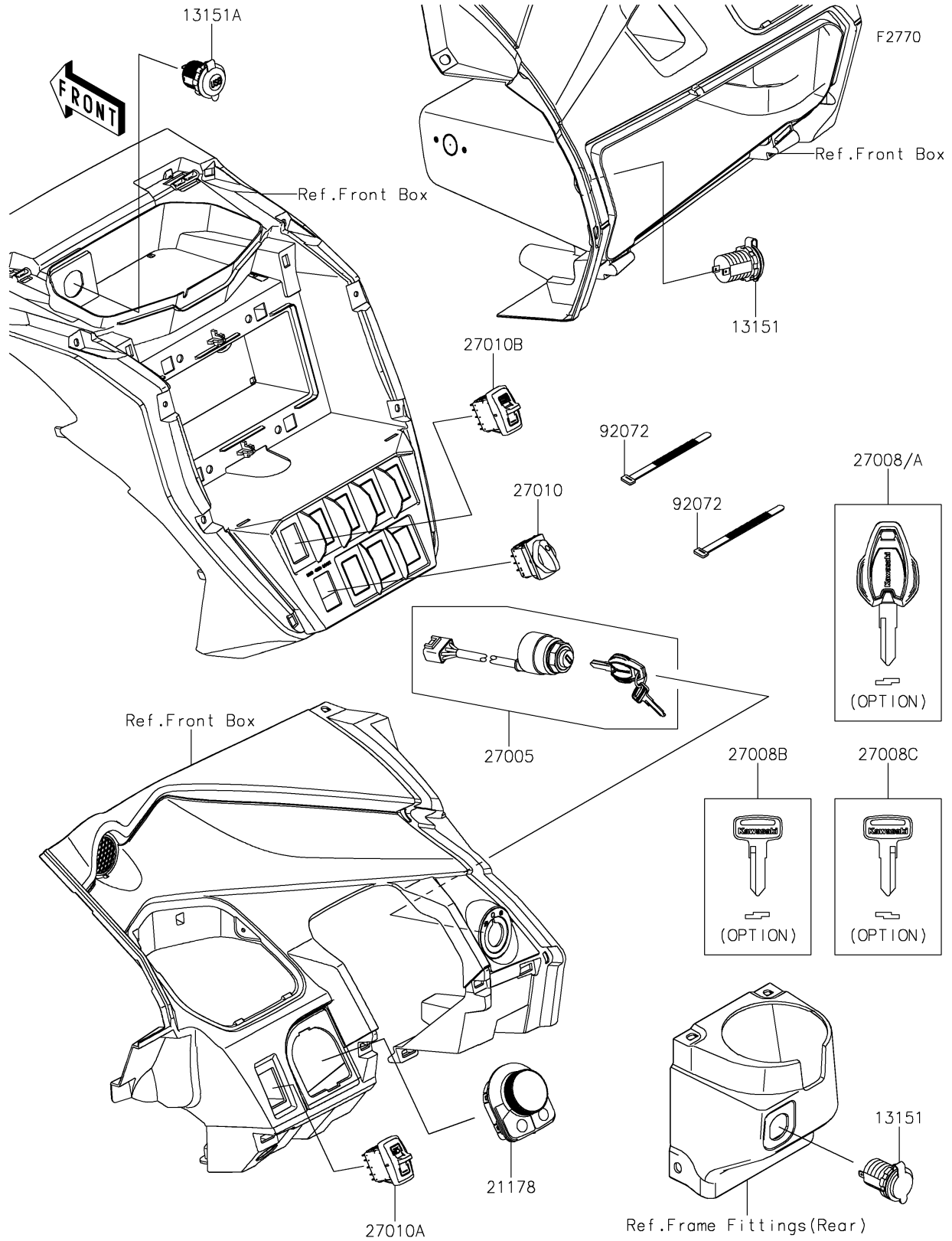
# 2026 Teryx4 H2

## PARTS DIAGRAM

### Ignition Switch

**Kawasaki**

Let the Good Times Roll®



# 2026 Teryx4 H2

## PARTS LIST

### Ignition Switch

ITEM NAME	PART NUMBER	QUANTITY
SWITCH-COMP,OUTLET,12V (Ref # 13151)	13151-0556	2
SWITCH-COMP,USB-C SOCKET (Ref # 13151A)	13151-0615	1
CONTROL-SWITCH,METER (Ref # 21178)	21178-0008	1
SWITCH-ASSY-IGNITION (Ref # 27005)	27005-0747	1
KEY-LOCK,BLANK,MASCOT (Ref # 27008)	27008-0747	1
KEY-LOCK,BLANK,MASCOT (Ref # 27008A)	27008-0748	1
KEY-LOCK,BLANK (Ref # 27008B)	27008-1153	1
KEY-LOCK,BLANK (Ref # 27008C)	27008-1157	1
SWITCH,2WD/4WD (Ref # 27010)	27010-0902	1
SWITCH,HEAD LIGHT (Ref # 27010A)	27010-1548	1
SWITCH,POWER MODE (Ref # 27010B)	27010-1549	1
BAND,L=123 (Ref # 92072)	92072-030	2