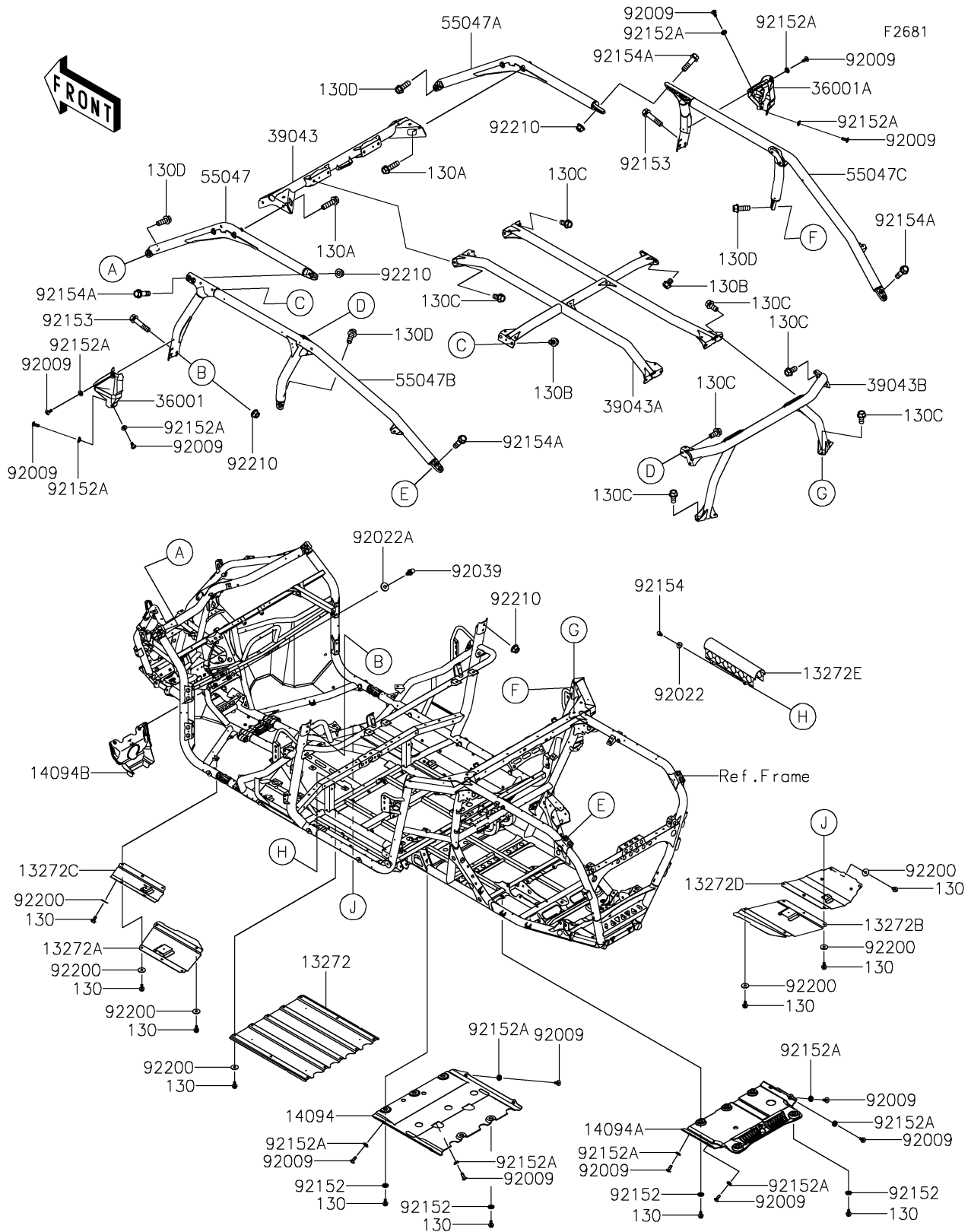


2026 TERYX® 4 H2

PARTS DIAGRAM

Guards/Cab Frame



2026 TERYX® 4 H2

PARTS LIST

Guards/Cab Frame

ITEM NAME

PART NUMBER

QUANTITY
