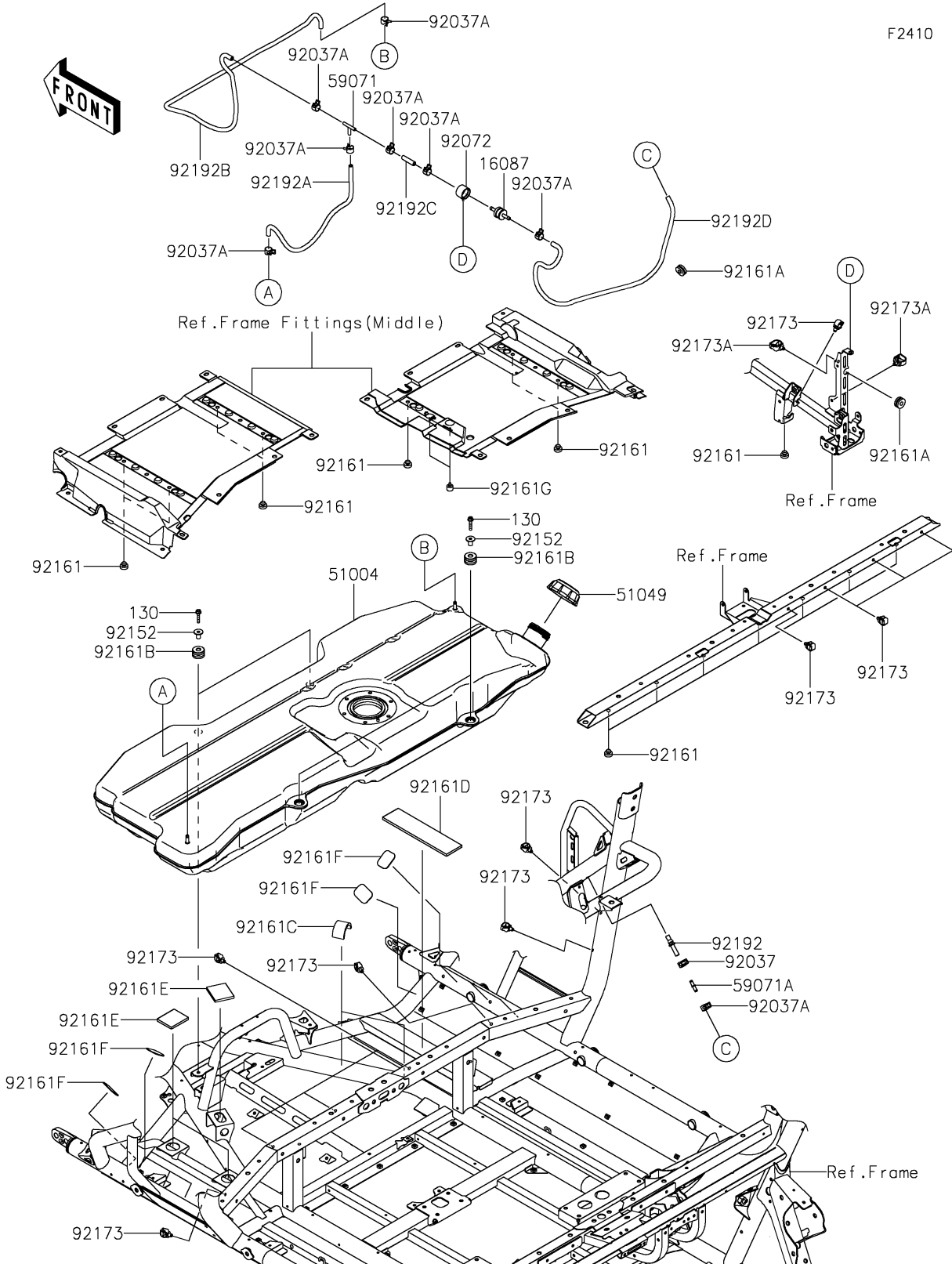


2026 TERYX® 4 H2

PARTS DIAGRAM

Fuel Tank(US)



2026 TERYX® 4 H2

PARTS LIST

Fuel Tank(US)

ITEM NAME	PART NUMBER	QUANTITY
VALVE-CHECK (Ref # 16087)	16087-0008	1
TANK-FUEL (Ref # 51004)	51004-0716	1
CAP-TANK,FUEL (Ref # 51049)	51049-0718	1
JOINT (Ref # 59071)	59071-3705	1
JOINT (Ref # 59071A)	59071-3717	1
CLAMP,TUBE (Ref # 92037)	92037-1461	1
CLAMP (Ref # 92037A)	92037-2113	8
BAND (Ref # 92072)	92072-0850	1
COLLAR,6.8X10X18.1 (Ref # 92152)	92152-1867	4
DAMPER (Ref # 92161)	92161-0046	15
DAMPER,10X26X11.5 (Ref # 92161A)	92161-1691	2
DAMPER,TANK (Ref # 92161B)	92161-2178	4
DAMPER,TANK FRAME PIPE (Ref # 92161C)	92161-2179	2
DAMPER,TANK LOWER (Ref # 92161D)	92161-2253	1
DAMPER,60X50X6.35 (Ref # 92161E)	92161-2587	3
DAMPER,45X35X1.5 (Ref # 92161F)	92161-2600	8
DAMPER,FUEL PUMP (Ref # 92161G)	92161-2775	2
CLAMP,12MM DIA. (Ref # 92173)	92173-0736	12
CLAMP (Ref # 92173A)	92173-0861	2
TUBE,FRAME PIPE-CHECK VALVE (Ref # 92192)	92192-0068	1
TUBE,BREATHER,LH (Ref # 92192A)	92192-2767	1
TUBE,BREATHER,RH (Ref # 92192B)	92192-2768	1
TUBE,5X10X40 (Ref # 92192C)	92192-2770	1
TUBE,VALVE-FRAME (Ref # 92192D)	92192-2887	1
BOLT-FLANGED,6X30 (Ref # 130)	130BA0630	4