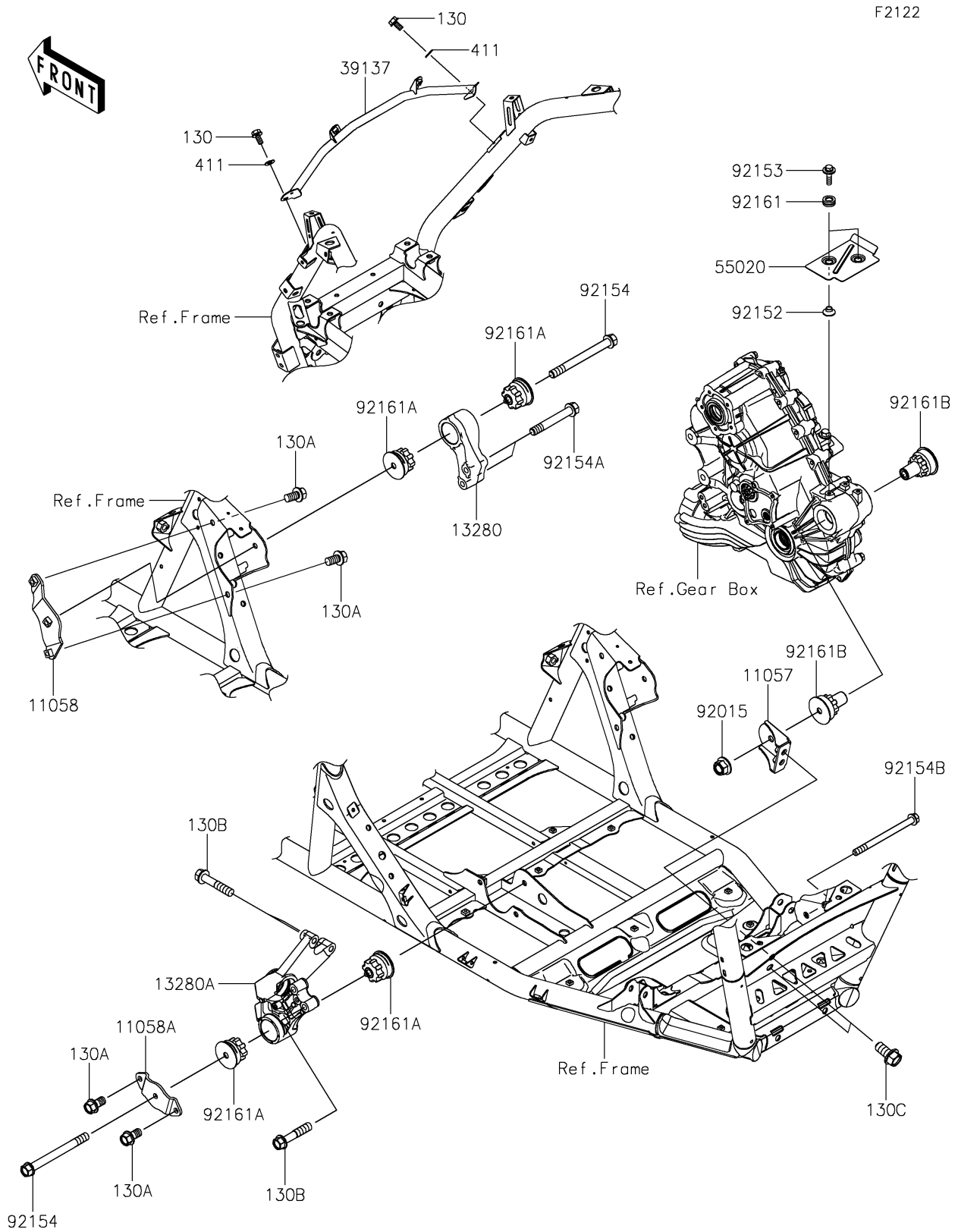


2026 Teryx4 H2

PARTS DIAGRAM

Engine Mount



2026 Teryx4 H2

PARTS LIST

Engine Mount

| ITEM NAME | PART NUMBER | QUANTITY |
|--|-------------|----------|
| BRACKET,RR (Ref # 11057) | 11057-2103 | 1 |
| BRACKET,FR,RH (Ref # 11058) | 11058-1679 | 1 |
| BRACKET,FR,LH (Ref # 11058A) | 11058-1680 | 1 |
| HOLDER (Ref # 13280) | 13280-1397 | 1 |
| HOLDER,LH (Ref # 13280A) | 13280-1407 | 1 |
| STAY-COMP,FR (Ref # 39137) | 39137-0783 | 1 |
| GUARD (Ref # 55020) | 55020-2555 | 1 |
| NUT,LOCK,FLANGED,12MM (Ref # 92015) | 92015-1433 | 1 |
| COLLAR,6.3X8.3X7.2 (Ref # 92152) | 92152-1865 | 2 |
| BOLT,FLANGED,6X22 (Ref # 92153) | 92153-0950 | 2 |
| BOLT,FLANGED,10X105 (Ref # 92154) | 92154-1132 | 2 |
| BOLT,FLANGED,10X70 (Ref # 92154A) | 92154-1541 | 2 |
| BOLT,FLANGED,12X160 (Ref # 92154B) | 92154-3916 | 1 |
| DAMPER (Ref # 92161) | 92161-2510 | 2 |
| DAMPER,FRONT ENGINE MOUNT (Ref # 92161A) | 92161-2591 | 4 |
| DAMPER,REAR ENGINE MOUNT (Ref # 92161B) | 92161-2592 | 2 |
| BOLT-FLANGED,6X12 (Ref # 130) | 130BA0612 | 2 |
| BOLT-FLANGED,10X18 (Ref # 130A) | 130CA1018 | 4 |
| BOLT-FLANGED,10X50 (Ref # 130B) | 130CA1050 | 4 |
| BOLT-FLANGED,12X25 (Ref # 130C) | 130CA1225 | 2 |
| WASHER-PLAIN,6MM (Ref # 411) | 411AA0600 | 2 |