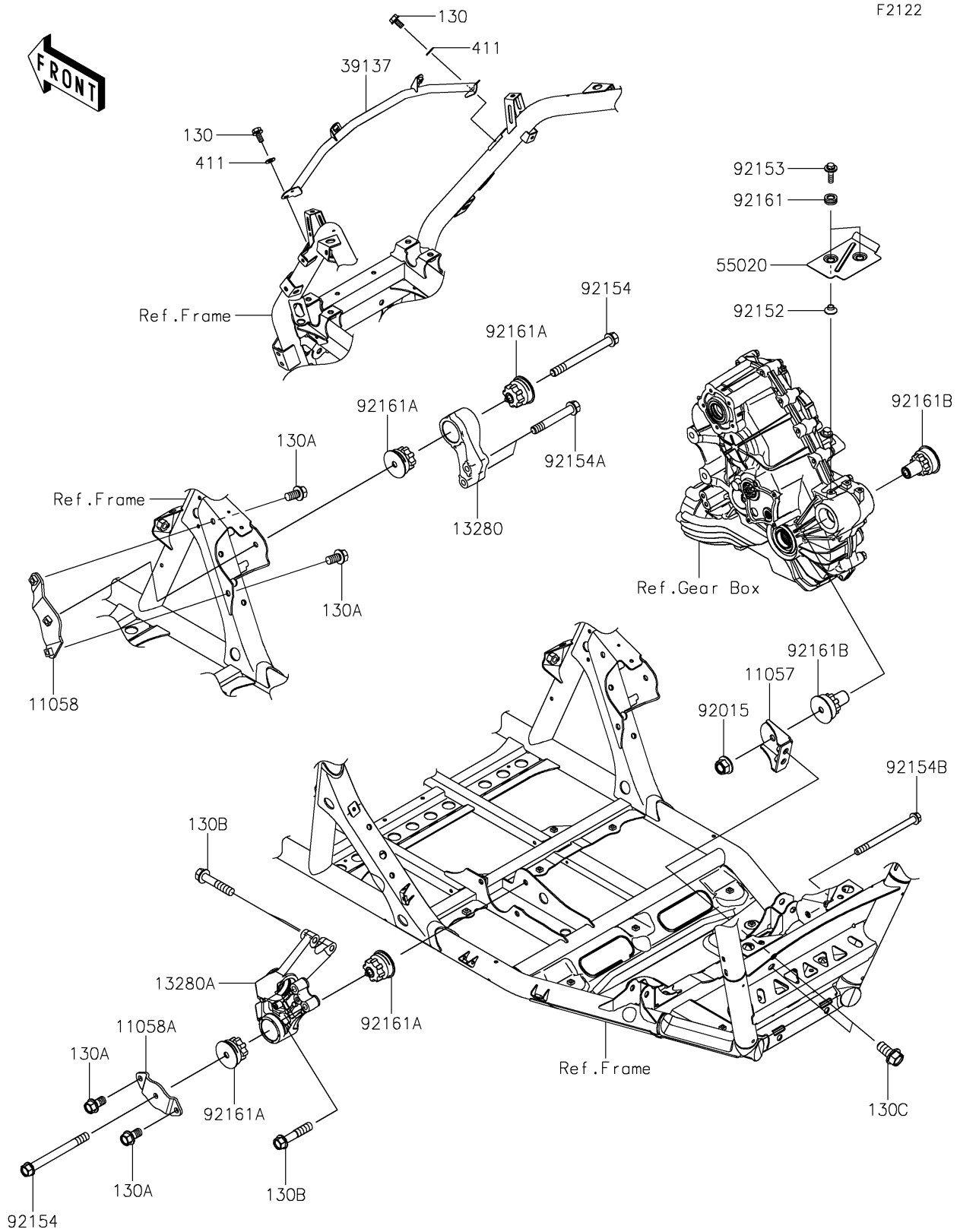


2026 TERYX® 4 H2

PARTS DIAGRAM

Engine Mount



2026 TERYX® 4 H2

PARTS LIST

Engine Mount

ITEM NAME	PART NUMBER	QUANTITY
BRACKET,RR (Ref # 11057)	11057-2103	1
BRACKET,FR,RH (Ref # 11058)	11058-1679	1
BRACKET,FR,LH (Ref # 11058A)	11058-1680	1
HOLDER (Ref # 13280)	13280-1397	1
HOLDER,LH (Ref # 13280A)	13280-1407	1
STAY-COMP,FR (Ref # 39137)	39137-0783	1
GUARD (Ref # 55020)	55020-2555	1
NUT,LOCK,FLANGED,12MM (Ref # 92015)	92015-1433	1
COLLAR,6.3X8.3X7.2 (Ref # 92152)	92152-1865	2
BOLT,FLANGED,6X22 (Ref # 92153)	92153-0950	2
BOLT,FLANGED,10X105 (Ref # 92154)	92154-1132	2
BOLT,FLANGED,10X70 (Ref # 92154A)	92154-1541	2
BOLT,FLANGED,12X160 (Ref # 92154B)	92154-3916	1
DAMPER (Ref # 92161)	92161-2510	2
DAMPER,FRONT ENGINE MOUNT (Ref # 92161A)	92161-2591	4
DAMPER,REAR ENGINE MOUNT (Ref # 92161B)	92161-2592	2
BOLT-FLANGED,6X12 (Ref # 130)	130BA0612	2
BOLT-FLANGED,10X18 (Ref # 130A)	130CA1018	4
BOLT-FLANGED,10X50 (Ref # 130B)	130CA1050	4
BOLT-FLANGED,12X25 (Ref # 130C)	130CA1225	2
WASHER-PLAIN,6MM (Ref # 411)	411AA0600	2