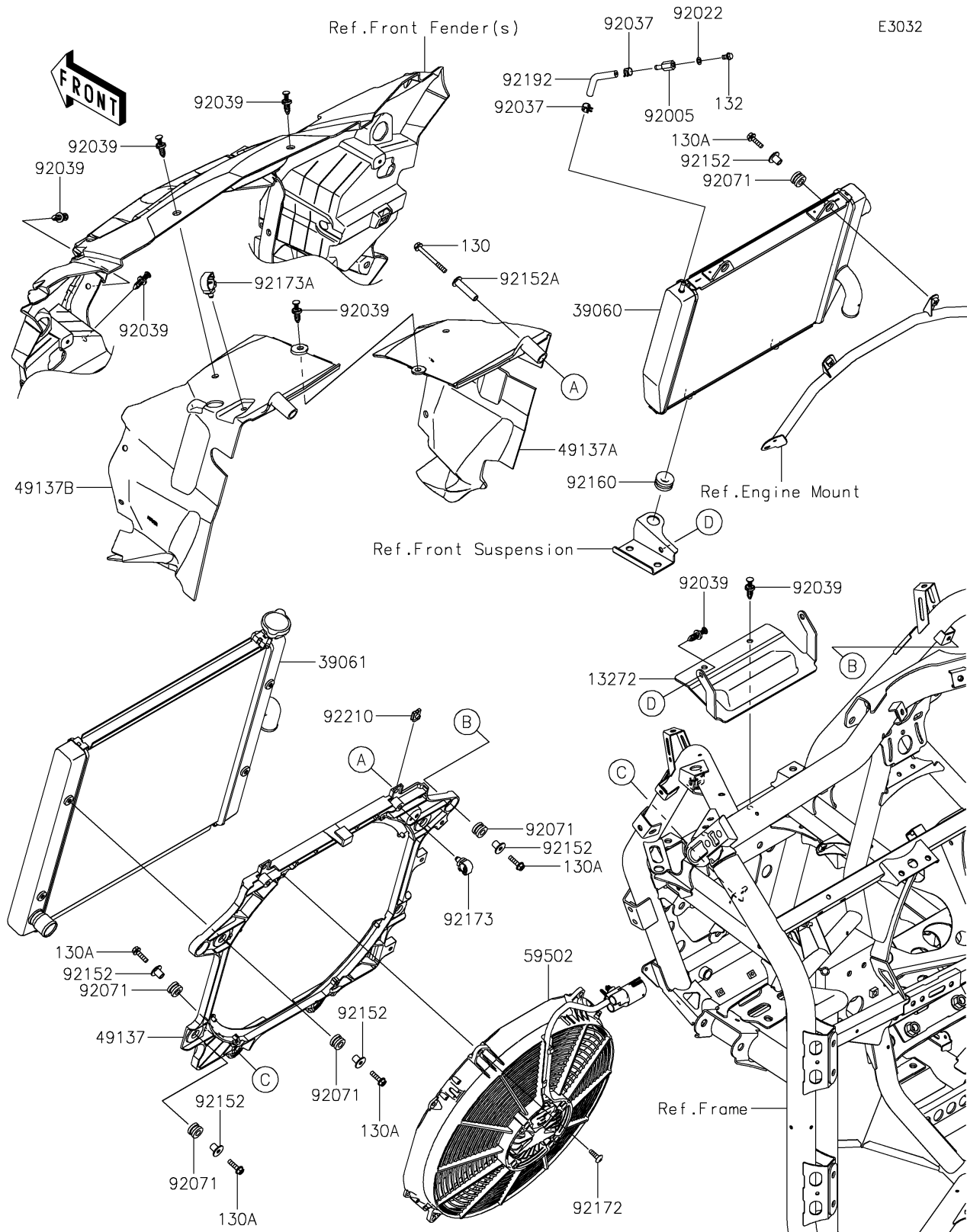


2026 TERYX® 4 H2

PARTS DIAGRAM

Radiator



2026 TERYX® 4 H2

PARTS LIST

Radiator

ITEM NAME	PART NUMBER	QUANTITY
PLATE (Ref # 13272)	13272-7317	1
RADIATOR,SUB (Ref # 39060)	39060-0785	1
RADIATOR-ASSY (Ref # 39061)	39061-0984	1
SHROUD,FAN (Ref # 49137)	49137-0003	1
SHROUD,RH (Ref # 49137A)	49137-0013	1
SHROUD,LH (Ref # 49137B)	49137-0014	1
FAN-ASSY (Ref # 59502)	59502-0657	1
FITTING (Ref # 92005)	92005-1595	1
WASHER,6.2X11X1 (Ref # 92022)	92022-304	1
CLAMP,TUBE (Ref # 92037)	92037-1505	2
RIVET (Ref # 92039)	92039-0865	11
GROMMET (Ref # 92071)	92071-0842	10
COLLAR (Ref # 92152)	92152-3851	10
COLLAR,SHROUD (Ref # 92152A)	92152-3866	2
DAMPER (Ref # 92160)	92160-1007	2
SCREW,TAPPING,6X20 (Ref # 92172)	92172-0488	4
CLAMP,12MM DIA. (Ref # 92173)	92173-0736	2
CLAMP (Ref # 92173A)	92173-0861	1
TUBE,4X10X78 (Ref # 92192)	92192-2762	1
NUT (Ref # 92210)	92210-1323	2
BOLT-FLANGED,6X60 (Ref # 130)	130BA0660	2
BOLT-FLANGED,6X22 (Ref # 130A)	130CA0622	10
BOLT-FLANGED-SMALL,6X10 (Ref # 132)	132BA0610	1