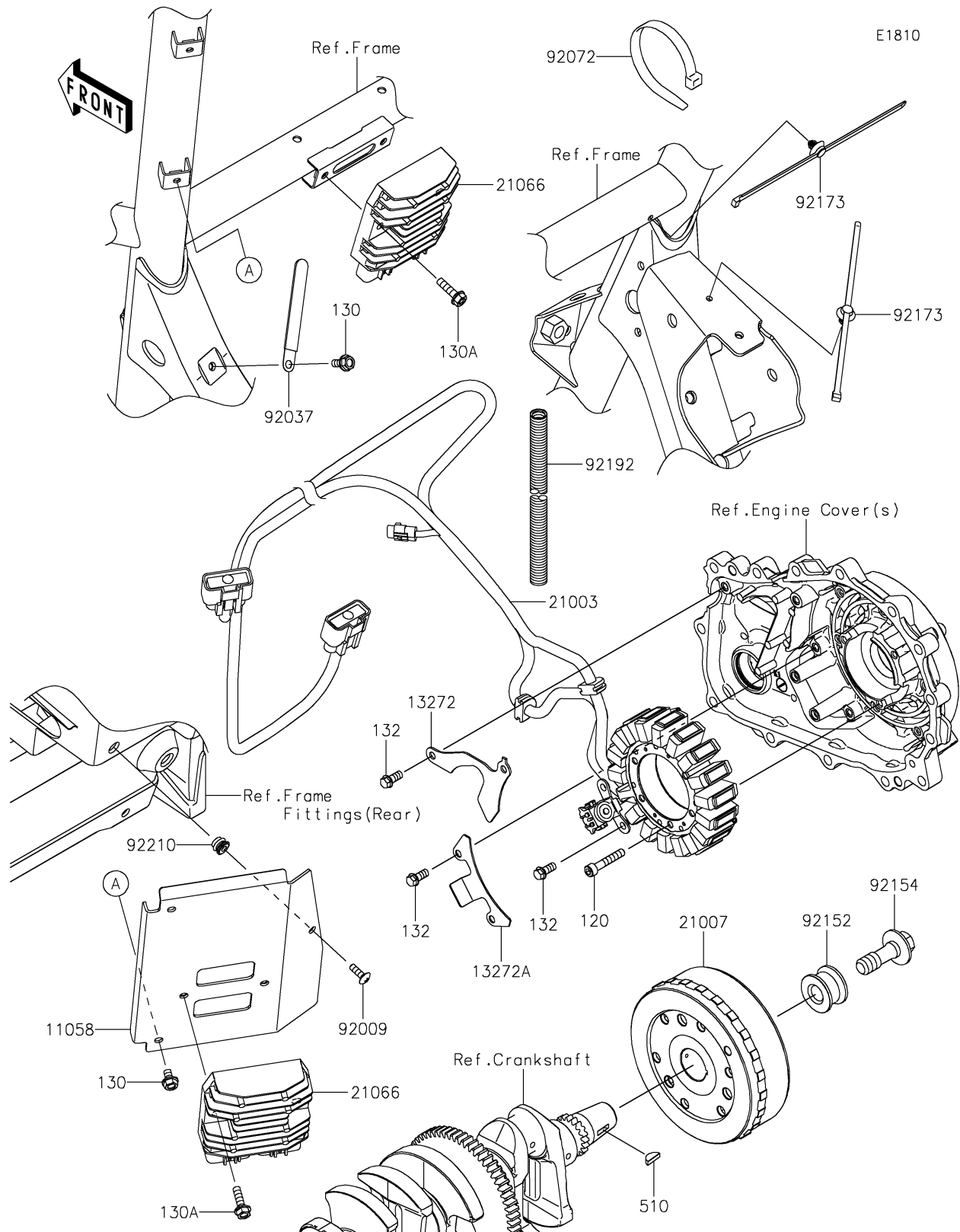


2026 Teryx4 H2

PARTS DIAGRAM

Generator



2026 Teryx4 H2

PARTS LIST

Generator

ITEM NAME	PART NUMBER	QUANTITY
BRACKET,REGULATOR (Ref # 11058)	11058-4056	1
PLATE,LEAD WIRE (Ref # 13272)	13272-4122	1
PLATE,LEAD WIRE (Ref # 13272A)	13272-4123	1
STATOR (Ref # 21003)	21003-0232	1
ROTOR (Ref # 21007)	21007-0741	1
REGULATOR-VOLTAGE (Ref # 21066)	21066-0771	2
SCREW,5X16 (Ref # 92009)	92009-3797	1
CLAMP (Ref # 92037)	92037-1993	1
BAND,L=202 (Ref # 92072)	92072-1195	1
COLLAR (Ref # 92152)	92152-3816	1
BOLT (Ref # 92154)	92154-7265	1
CLAMP (Ref # 92173)	92173-2792	2
TUBE,CONVOLUTED,10.7X14.1X140 (Ref # 92192)	92192-2521	1
NUT,WELL,5MM (Ref # 92210)	92210-0370	1
BOLT-SOCKET,6X35 (Ref # 120)	120CA0635	3
BOLT-FLANGED,6X10 (Ref # 130)	130BA0610	3
BOLT-FLANGED,6X22 (Ref # 130A)	130BA0622	4
BOLT-FLANGED-SMALL,6X14 (Ref # 132)	132BA0614	6
KEY-WOODRUFF (Ref # 510)	510A4200	1