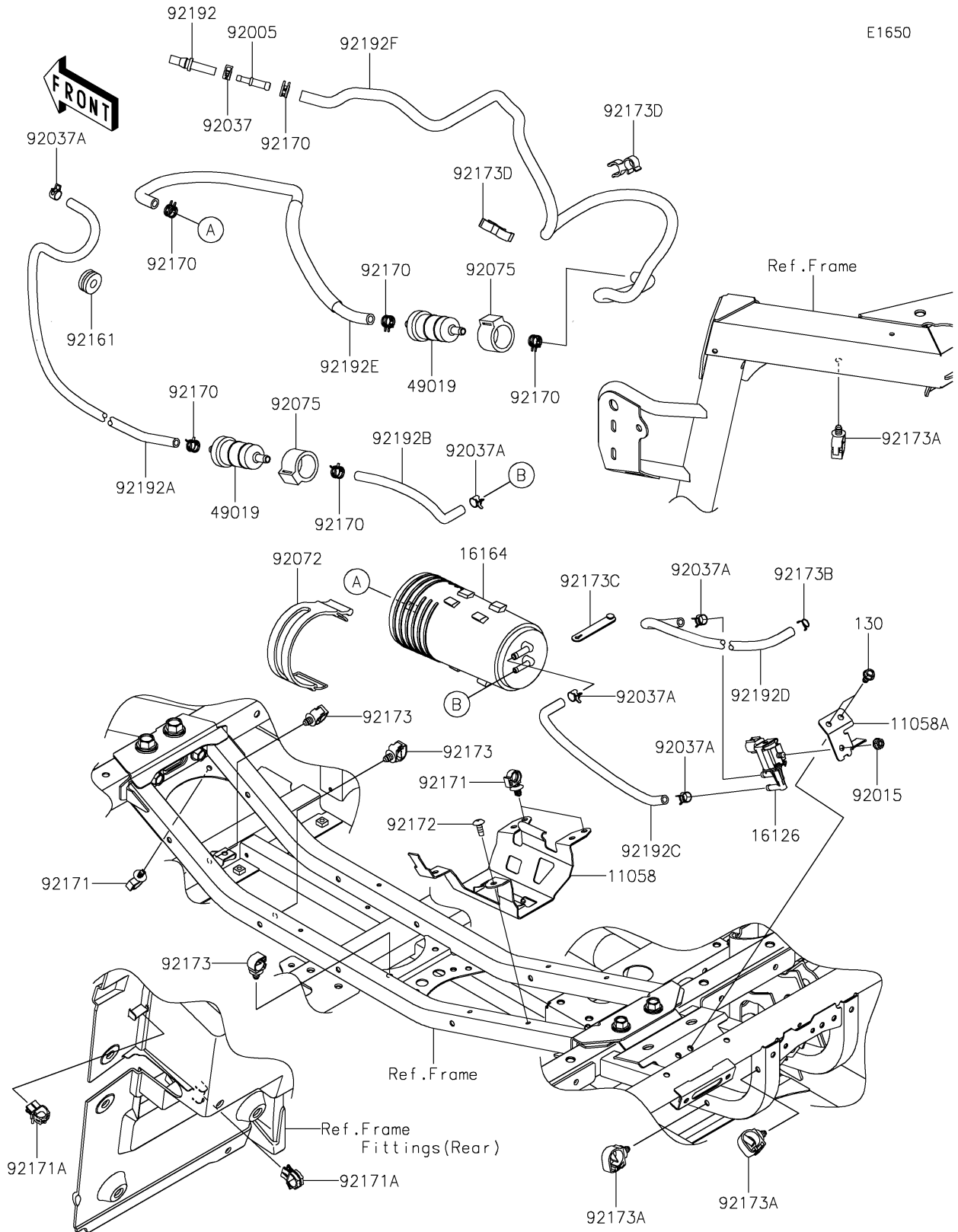


2026 TERYX® 4 H2

PARTS DIAGRAM

Fuel Evaporative System(CA)



2026 TERYX® 4 H2

PARTS LIST

Fuel Evaporative System(CA)

ITEM NAME	PART NUMBER	QUANTITY
BRACKET,CANISTER,FILTER (Ref # 11058)	11058-1956	1
BRACKET,FILTER,VALVE (Ref # 11058A)	11058-1957	1
VALVE,PCV (Ref # 16126)	16126-0731	1
CANISTER (Ref # 16164)	16164-0016	1
FILTER-FUEL (Ref # 49019)	49019-0032	2
FITTING (Ref # 92005)	92005-0720	1
NUT,FLANGED,6MM (Ref # 92015)	92015-1367	1
CLAMP,TUBE (Ref # 92037)	92037-1461	1
CLAMP (Ref # 92037A)	92037-2113	5
BAND,L=168 (Ref # 92072)	92072-1306	1
DAMPER,FUEL FILTER (Ref # 92075)	92075-1853	2
DAMPER,10X26X11.5 (Ref # 92161)	92161-1691	1
CLAMP (Ref # 92170)	92170-2082	6
CLAMP (Ref # 92171)	92171-0453	3
CLAMP,EDGE CLIP (Ref # 92171A)	92171-1722	2
SCREW,TAPPING,6X16 (Ref # 92172)	92172-0739	4
CLAMP,12MM DIA. (Ref # 92173)	92173-0736	3
CLAMP (Ref # 92173A)	92173-0861	3
CLAMP (Ref # 92173B)	92173-1568	1
CLAMP (Ref # 92173C)	92173-2199	1
CLAMP (Ref # 92173D)	92173-2812	2
TUBE,FRAME PIPE-CHECK VALVE (Ref # 92192)	92192-0068	1
TUBE,CHECK VALVE-FILTER (Ref # 92192A)	92192-2779	1
TUBE,FILTER-CANISTER (Ref # 92192B)	92192-2780	1
TUBE,CANISTER-VALVE (Ref # 92192C)	92192-2781	1
TUBE,VALVE-THROTTLE (Ref # 92192D)	92192-2782	1
TUBE,CANISTER-FILTER (Ref # 92192E)	92192-2783	1
TUBE,FILTER-FRAME PIPE (Ref # 92192F)	92192-2784	1
BOLT-FLANGED,6X12 (Ref # 130)	130BA0612	2