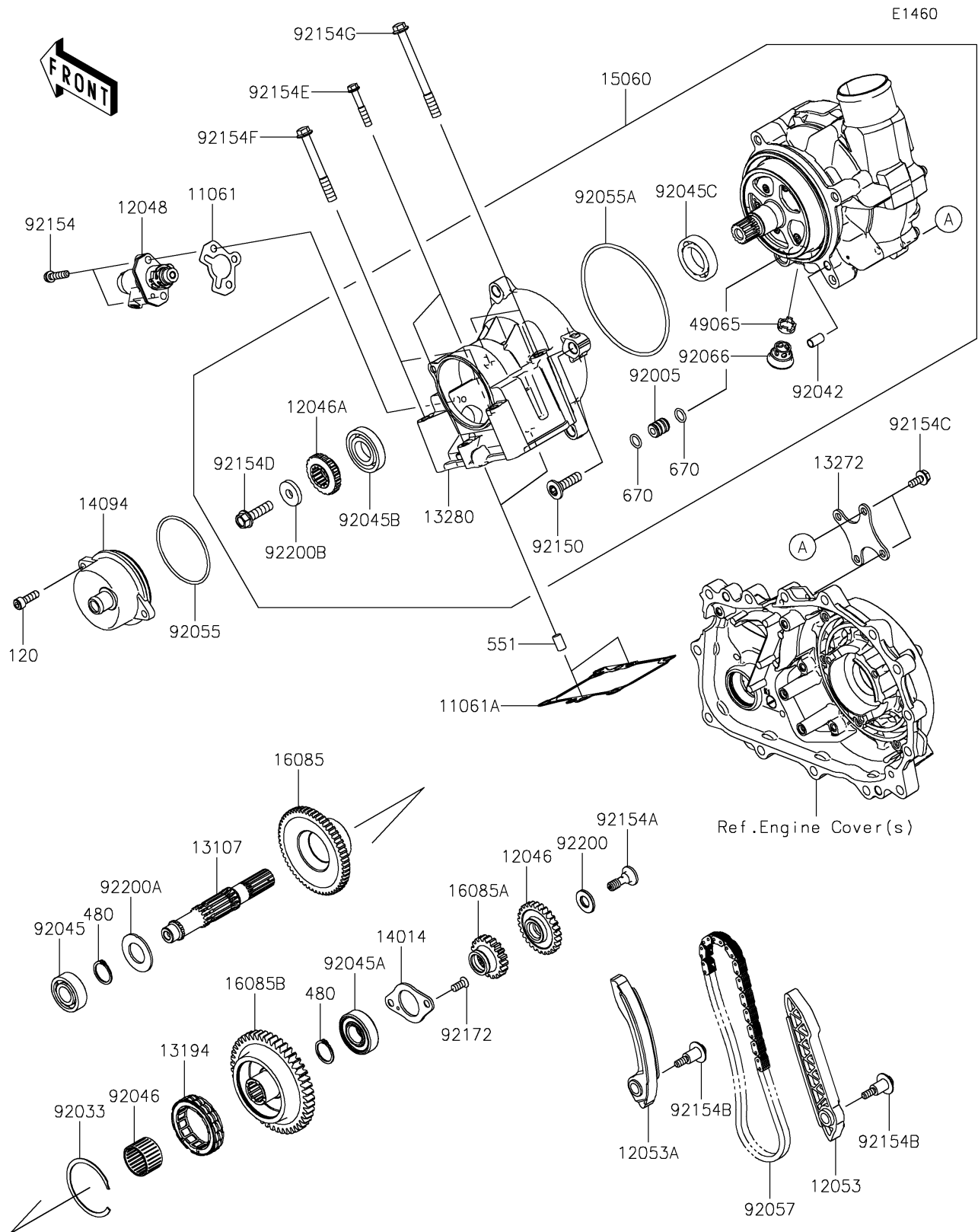


2026 Teryx4 H2

PARTS DIAGRAM

Super Charger



2026 Teryx4 H2

PARTS LIST

Super Charger

ITEM NAME	PART NUMBER	QUANTITY
GASKET,TENSIONER (Ref # 11061)	11061-1279	1
GASKET,HOLDER (Ref # 11061A)	11061-1641	1
SPROCKET,DRIVE,27T (Ref # 12046)	12046-0673	1
SPROCKET,DRIVEN,21T (Ref # 12046A)	12046-0674	1
TENSIONER-ASSY (Ref # 12048)	12048-0108	1
GUIDE-CHAIN,FIXING (Ref # 12053)	12053-0351	1
GUIDE-CHAIN,MOVABLE (Ref # 12053A)	12053-0358	1
SHAFT (Ref # 13107)	13107-1568	1
CLUTCH-ONEWAY (Ref # 13194)	13194-0027	1
PLATE (Ref # 13272)	13272-4470	1
HOLDER (Ref # 13280)	13280-1421	1
PLATE-POSITION (Ref # 14014)	14014-0587	1
COVER,COMPRESSOR (Ref # 14094)	14094-0265	1
COMPRESSOR-ASSY (Ref # 15060)	15060-0021	1
GEAR,LIMITER (Ref # 16085)	16085-0733	1
GEAR,19T (Ref # 16085A)	16085-0742	1
GEAR,47T (Ref # 16085B)	16085-0745	1
FILTER-OIL (Ref # 49065)	49065-0041	1
FITTING,OIL LINE (Ref # 92005)	92005-0769	1
RING-SNAP (Ref # 92033)	92033-3731	1
PIN,DOWEL,6.3X8X14 (Ref # 92042)	92042-007	1
BEARING-BALL,6202ZC3 (Ref # 92045)	92045-0785	1
BEARING-BALL (Ref # 92045A)	92045-1503	1
BEARING-BALL (Ref # 92045B)	92045-1504	1
BEARING-BALL (Ref # 92045C)	92045-1505	1
BEARING-NEEDLE,RS263020 (Ref # 92046)	92046-0004	1
RING-O,2.4X62.6 (Ref # 92055)	92055-0790	1
RING-O,104.4X3.1 (Ref # 92055A)	92055-1020	1
CHAIN,COMPRESSOR,T112 (Ref # 92057)	92057-0968	1

2026 Teryx4 H2

PARTS LIST

Super Charger

ITEM NAME	PART NUMBER	QUANTITY
PLUG (Ref # 92066)	92066-0821	1
BOLT,8X30 (Ref # 92150)	92150-1728	4
BOLT,SOCKET,6X25 (Ref # 92154)	92154-1458	2
BOLT (Ref # 92154A)	92154-1476	1
BOLT,CVT COVER (Ref # 92154B)	92154-1522	2
BOLT,FLANGED,6X14 (Ref # 92154C)	92154-3963	4
BOLT,SOCKET,8X30 (Ref # 92154D)	92154-7326	1
BOLT,FLANGED,6X35 (Ref # 92154E)	92154-7687	2
BOLT,FLANGED,8X65 (Ref # 92154F)	92154-7688	2
BOLT,FLANGED,8X85 (Ref # 92154G)	92154-7689	2
SCREW,TORX,6X14 (Ref # 92172)	92172-0961	2
WASHER,10.3X22X2.5 (Ref # 92200)	92200-0958	1
WASHER (Ref # 92200A)	92200-2678	1
WASHER,8.5X24X4.0 (Ref # 92200B)	92200-3811	1
BOLT-SOCKET,6X20 (Ref # 120)	120CA0620	2
CIRCLIP-TYPE-C,20MM (Ref # 480)	480J2000	2
PIN-DOWEL,8X14 (Ref # 551)	551A0814	2
O RING,10MM (Ref # 670)	670D1510	2