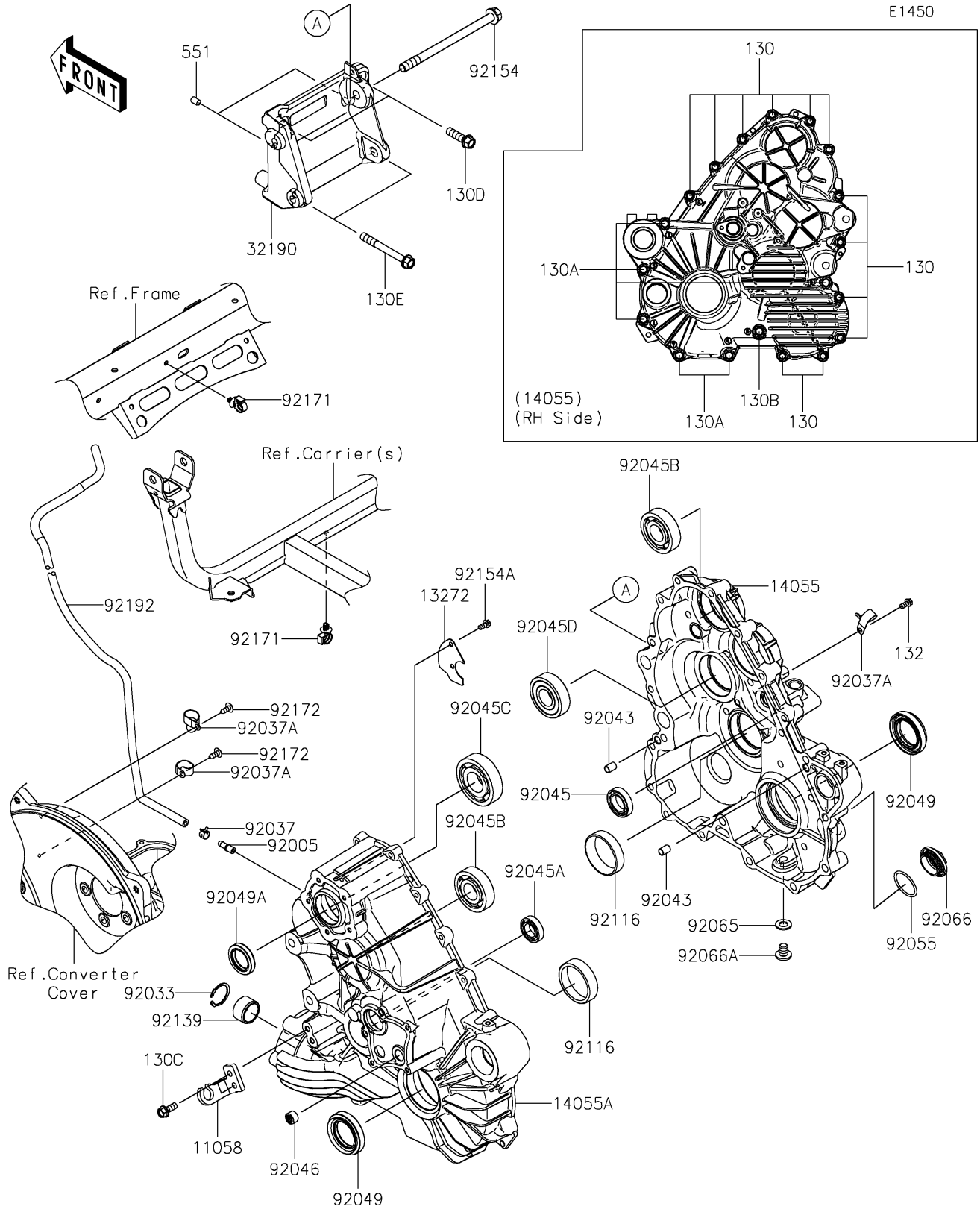


# 2026 Teryx4 H2

## PARTS DIAGRAM

### Gear Box



# 2026 Teryx4 H2

## PARTS LIST

### Gear Box

**ITEM NAME**

**PART NUMBER**

**QUANTITY**

---