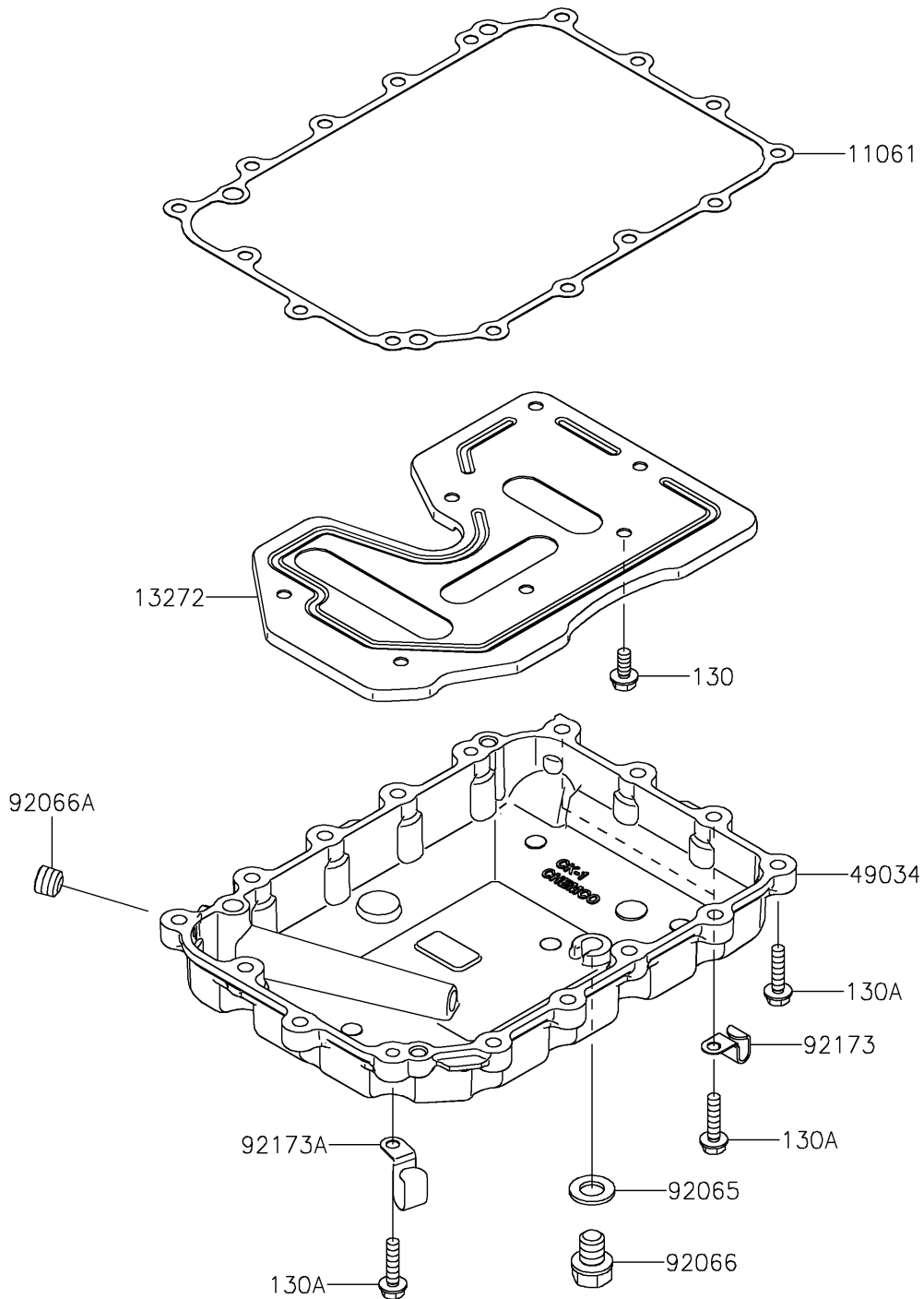


2026 TERYX® 4 H2

PARTS DIAGRAM

Oil Pan

E1434



2026 TERYX® 4 H2

PARTS LIST

Oil Pan

ITEM NAME

PART NUMBER

QUANTITY
