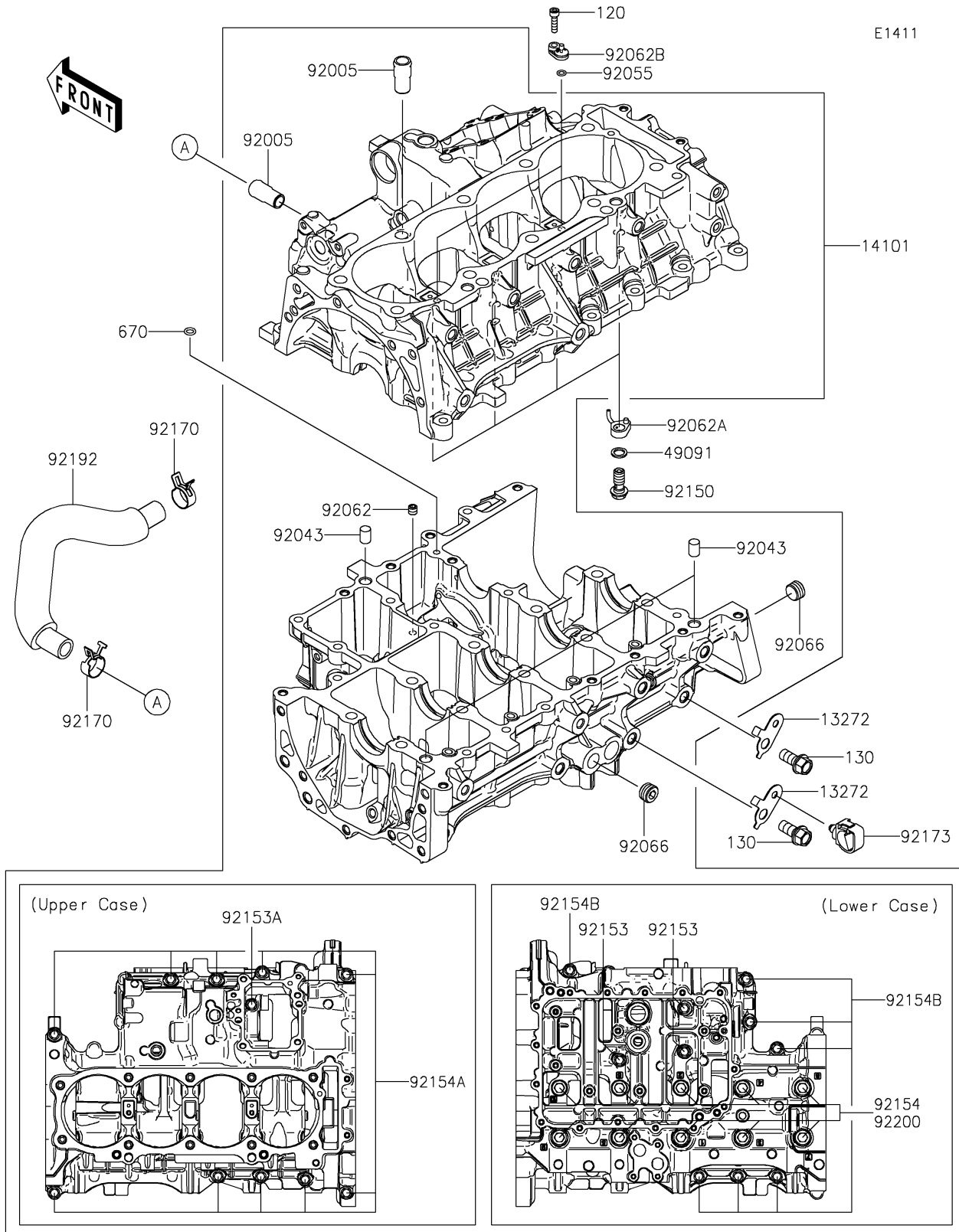


2026 Teryx4 H2

PARTS DIAGRAM

Crankcase



2026 Teryx4 H2

PARTS LIST

Crankcase

ITEM NAME	PART NUMBER	QUANTITY
PLATE (Ref # 13272)	13272-4471	2
SET-CRANKCASE (Ref # 14101)	14101-0066	1
WASHER-SEAL,10.1X14.5X1.5 (Ref # 49091)	49091-0001	4
FITTING,BREATHER (Ref # 92005)	92005-1238	2
PIN,10X14 (Ref # 92043)	92043-1506	3
RING-O,5.5X1.5 (Ref # 92055)	92055-1343	2
NOZZLE (Ref # 92062)	92062-0580	1
NOZZLE (Ref # 92062A)	92062-0590	4
NOZZLE (Ref # 92062B)	92062-0592	2
PLUG (Ref # 92066)	92066-0831	2
BOLT,BANJO,10X23 (Ref # 92150)	92150-1641	4
BOLT,FLANGED,7X85 (Ref # 92153)	92153-1043	3
BOLT,FLANGED,7X60 (Ref # 92153A)	92153-1045	1
BOLT,FLANGED,10X100 (Ref # 92154)	92154-1446	10
BOLT,7X35 (Ref # 92154A)	92154-4472	10
BOLT,FLANGED,7X35 (Ref # 92154B)	92154-7806	7
CLAMP (Ref # 92170)	92170-1060	2
CLAMP (Ref # 92173)	92173-0861	1
TUBE,BLOWBY GAS (Ref # 92192)	92192-2973	1
WASHER,10.2X18.4X1.8 (Ref # 92200)	92200-0990	10
BOLT-SOCKET,5X20 (Ref # 120)	120CA0520	2
BOLT-FLANGED,10X22 (Ref # 130)	130BA1022	2
O RING,7MM (Ref # 670)	670D1507	1