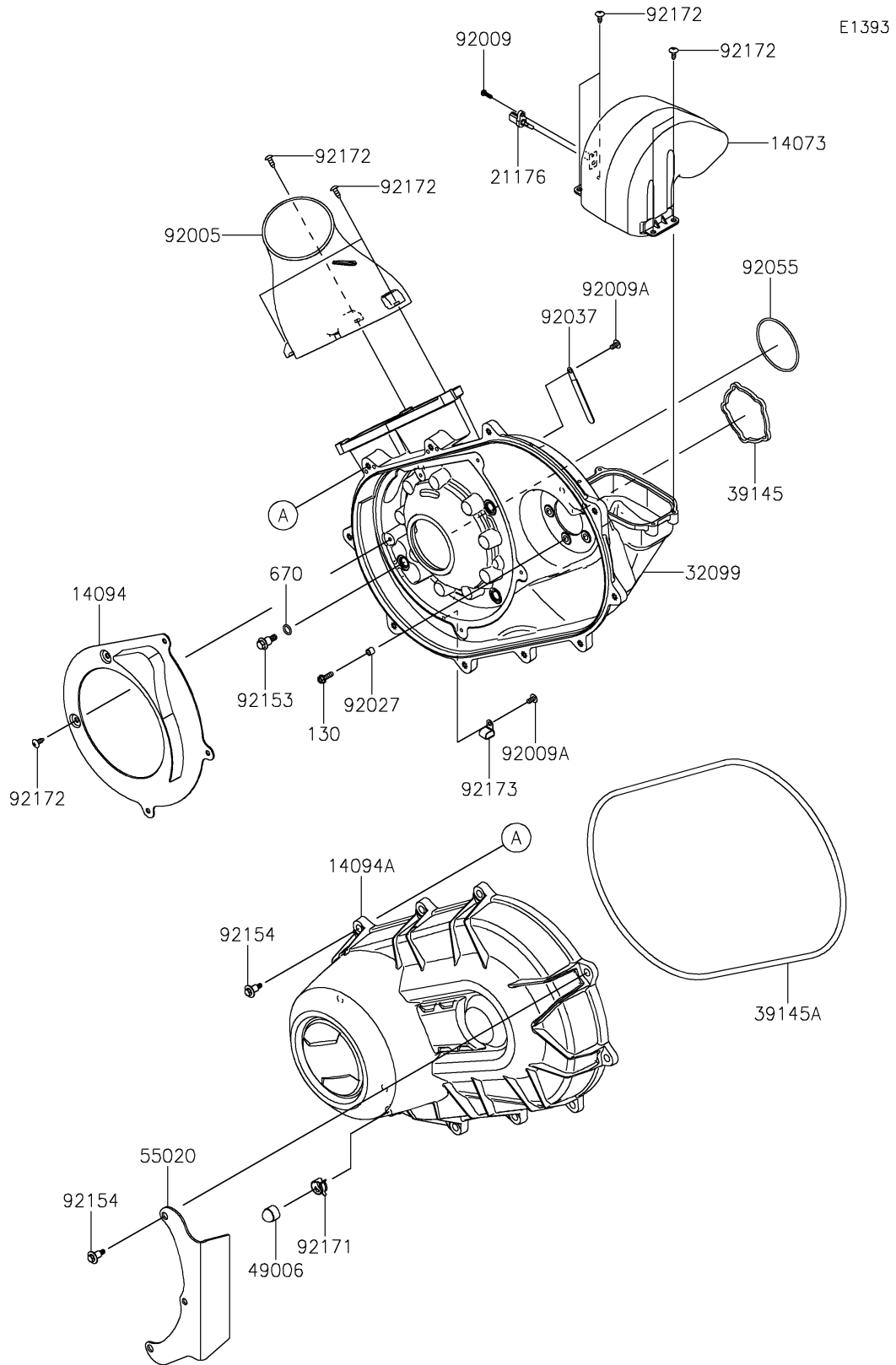


2026 Teryx4 H2

PARTS DIAGRAM

Converter Cover



2026 Teryx4 H2

PARTS LIST

Converter Cover

ITEM NAME	PART NUMBER	QUANTITY
DUCT,EXHAUST (Ref # 14073)	14073-2138	1
COVER,AIR GUIDE (Ref # 14094)	14094-0438	1
COVER,CVT (Ref # 14094A)	14094-0541	1
SENSOR,AIR TEMPERATURE (Ref # 21176)	21176-0048	1
CASE,CVT (Ref # 32099)	32099-0838	1
TRIM-SEAL (Ref # 39145)	39145-0714	1
TRIM-SEAL,CVT COVER (Ref # 39145A)	39145-0781	1
BOOT,DRAIN (Ref # 49006)	49006-3718	1
GUARD (Ref # 55020)	55020-2653	1
FITTING,INTAKE (Ref # 92005)	92005-1486	1
SCREW,TAPPING,5X16 (Ref # 92009)	92009-1264	1
SCREW,6X12 (Ref # 92009A)	92009-1480	2
COLLAR,6.8X10X8.5 (Ref # 92027)	92027-129	5
CLAMP (Ref # 92037)	92037-1993	1
RING-O,84.4X3.1 (Ref # 92055)	92055-0916	1
BOLT,8X26.5 (Ref # 92153)	92153-0594	4
BOLT,CVT COVER (Ref # 92154)	92154-7452	10
CLAMP (Ref # 92171)	92171-0329	1
SCREW,6X16 (Ref # 92172)	92172-0284	12
CLAMP (Ref # 92173)	92173-2439	1
BOLT-FLANGED,6X20 (Ref # 130)	130BA0620	5
O RING,12MM (Ref # 670)	670D2012	4