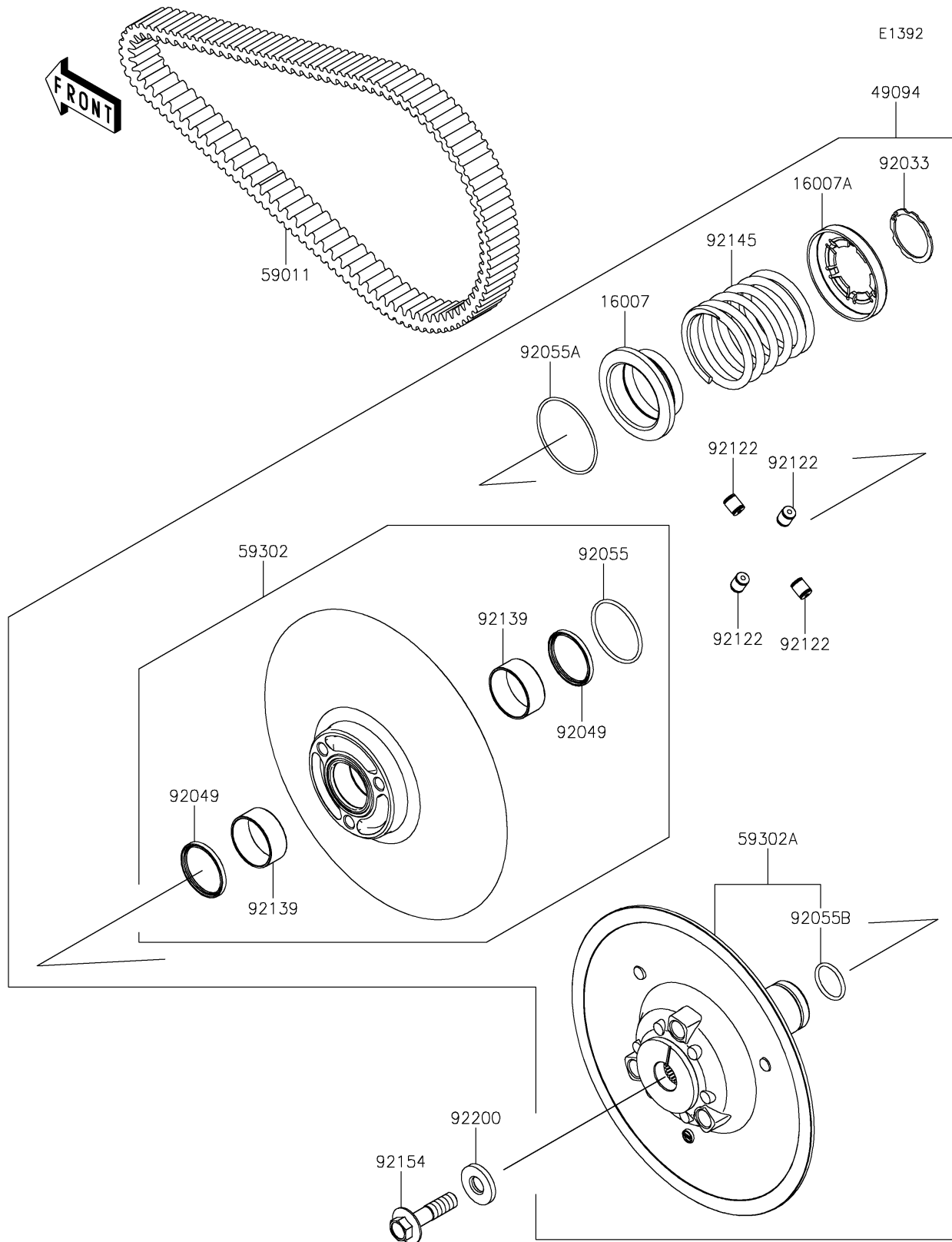


2026 Teryx4 H2

PARTS DIAGRAM

Driven Converter/Drive Belt



2026 Teryx4 H2

PARTS LIST

Driven Converter/Drive Belt

ITEM NAME

PART NUMBER

QUANTITY
