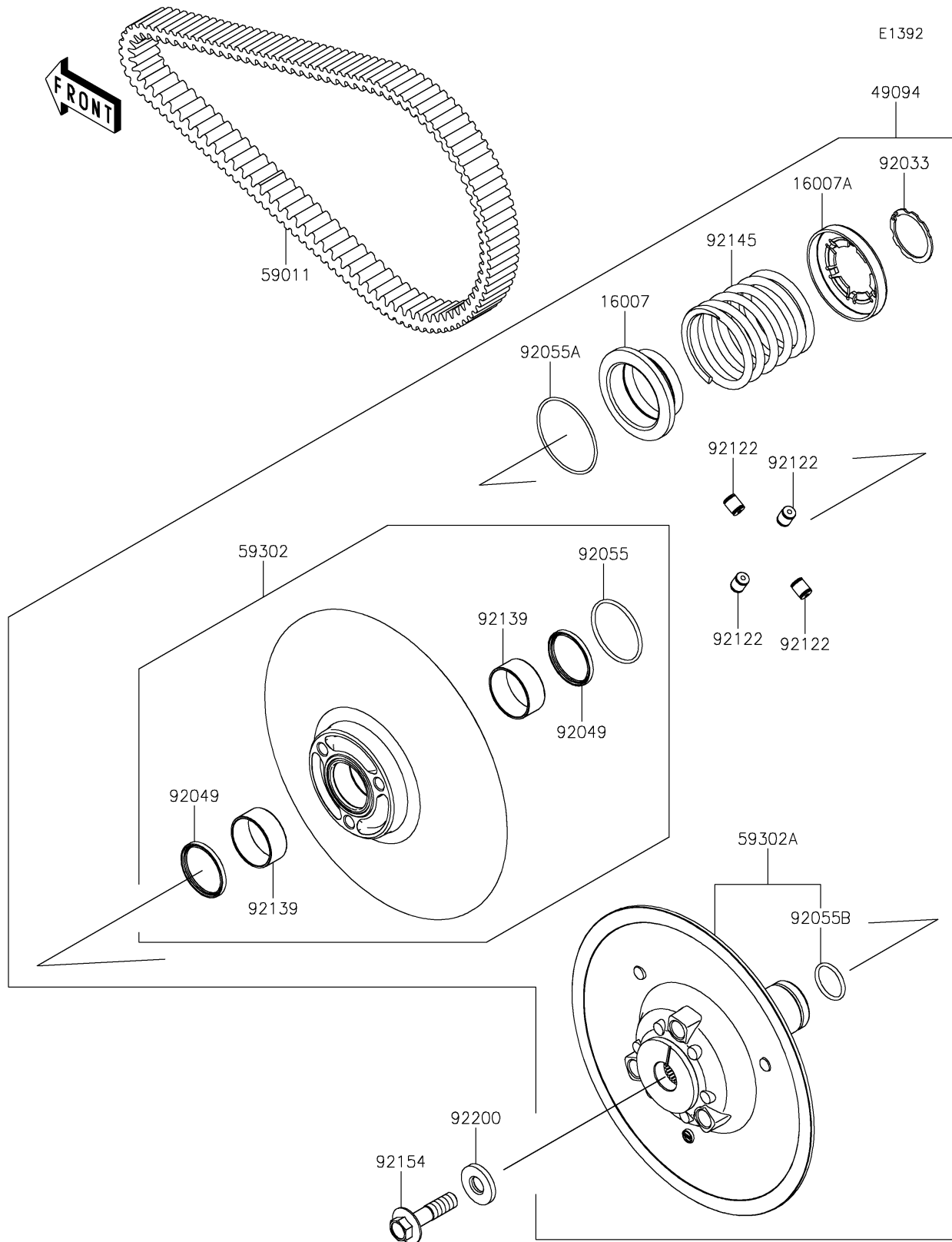


2026 TERYX® 4 H2

PARTS DIAGRAM

Driven Converter/Drive Belt



2026 TERYX® 4 H2

PARTS LIST

Driven Converter/Drive Belt

ITEM NAME	PART NUMBER	QUANTITY
SEAT-SPRING,MOVABLE (Ref # 16007)	16007-0754	1
SEAT-SPRING,FIXED (Ref # 16007A)	16007-0755	1
CONVERTER-ASSY-DRIVEN (Ref # 49094)	49094-0125	1
BELT,CVT (Ref # 59011)	59011-0077	1
SHEAVE-COMP,DRIVEN MOVABLE (Ref # 59302)	59302-0133	1
SHEAVE-COMP,DRIVEN FIXED (Ref # 59302A)	59302-0142	1
RING-SNAP,41.5MM (Ref # 92033)	92033-0801	1
SEAL-OIL,GD45X52X4 V1 (Ref # 92049)	92049-0821	2
RING-O,54.4X3.1 (Ref # 92055)	92055-0924	1
RING-O,68.2X2.4 (Ref # 92055A)	92055-0925	1
RING-O,29X3.1 (Ref # 92055B)	92055-0926	1
ROLLER (Ref # 92122)	92122-0571	4
BUSHING (Ref # 92139)	92139-0936	2
SPRING (Ref # 92145)	92145-2333	1
BOLT,14X55 (Ref # 92154)	92154-3920	1
WASHER (Ref # 92200)	92200-2389	1