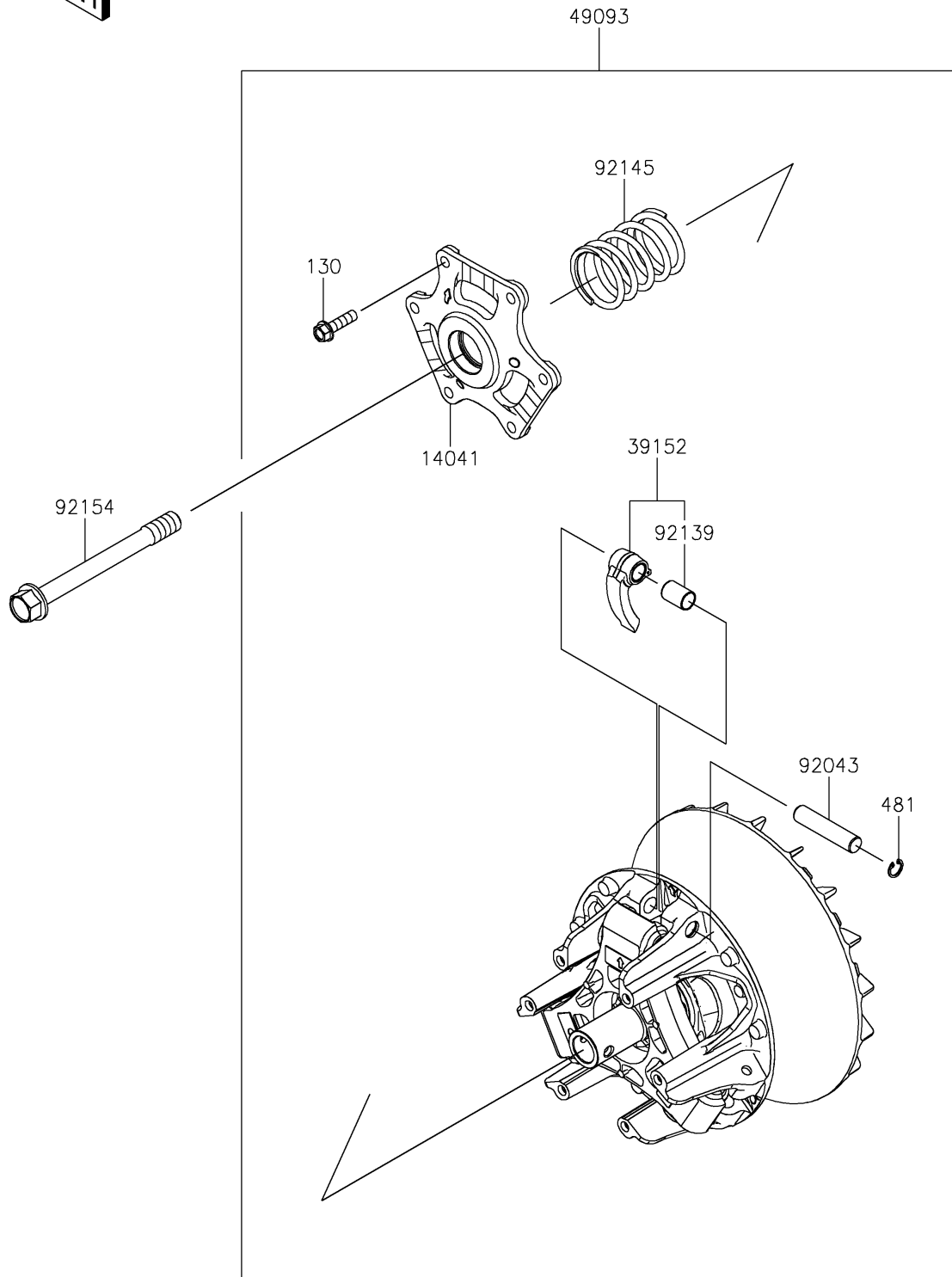


# 2026 Teryx4 H2

## PARTS DIAGRAM

### Drive Converter

E1391



# 2026 Teryx4 H2

## PARTS LIST

### Drive Converter

ITEM NAME	PART NUMBER	QUANTITY
COVER-COMP (Ref # 14041)	14041-0647	1
WEIGHT-RAMP (Ref # 39152)	39152-0111	3
CONVERTER-ASSY-DRIVE (Ref # 49093)	49093-0122	1
PIN (Ref # 92043)	92043-1780	3
BUSHING (Ref # 92139)	92139-0933	3
SPRING (Ref # 92145)	92145-2334	1
BOLT,FLANGED,16X154 (Ref # 92154)	92154-7324	1
BOLT-FLANGED,8X30 (Ref # 130)	130CA0830	6
CIRCLIP-TYPE-C (Ref # 481)	481J1400	3