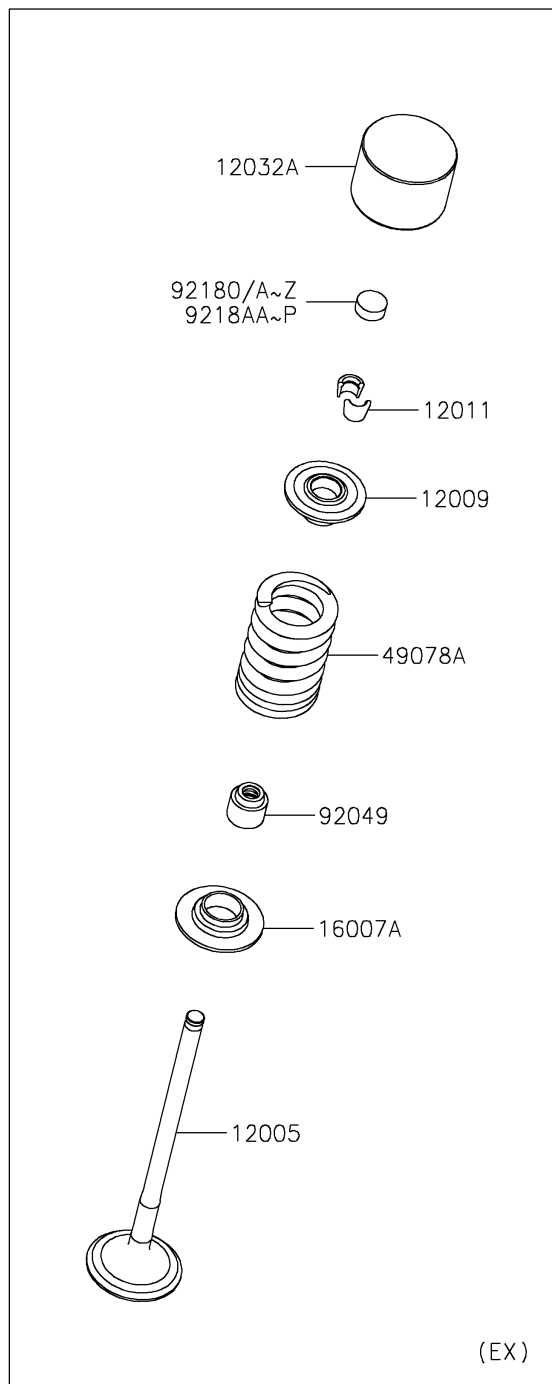
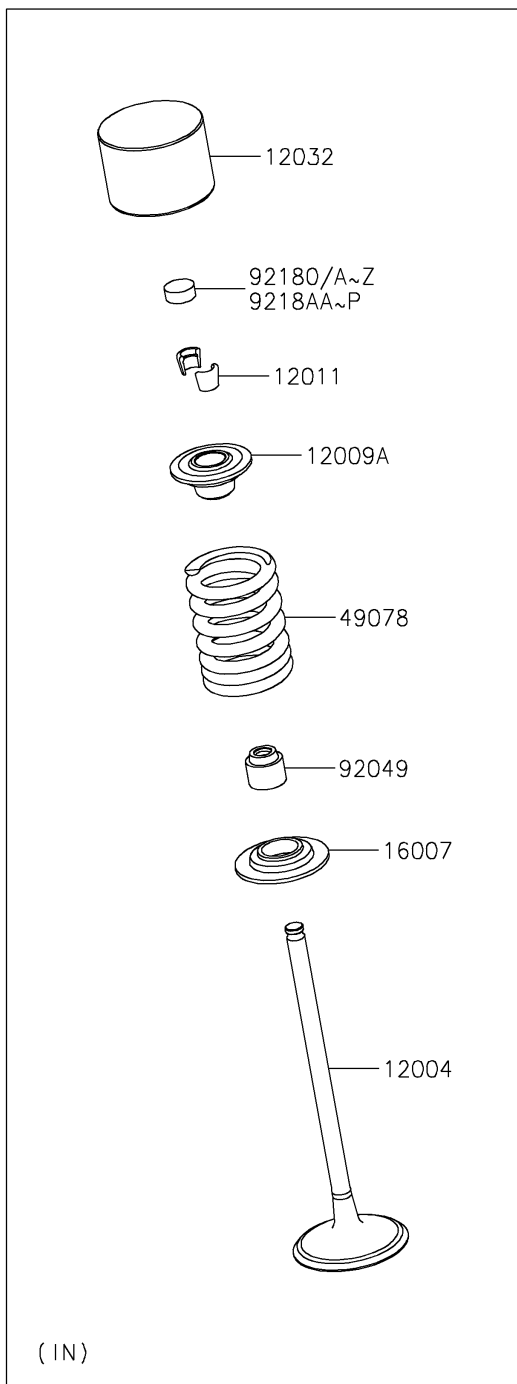


2026 Teryx4 H2

PARTS DIAGRAM

Valve(s)

E1210



2026 Teryx4 H2

PARTS LIST

Valve(s)

ITEM NAME	PART NUMBER	QUANTITY
VALVE-INTAKE (Ref # 12004)	12004-0782	8
VALVE-EXHAUST (Ref # 12005)	12005-0819	8
RETAINER-VALVE SPRING (Ref # 12009)	12009-0030	8
RETAINER-VALVE SPRING (Ref # 12009A)	12009-1091	8
COLLET (Ref # 12011)	12011-1053	32
TAPPET (Ref # 12032)	12032-0009	8
TAPPET (Ref # 12032A)	12032-0018	8
SEAT-SPRING (Ref # 16007)	16007-0034	8
SEAT-SPRING (Ref # 16007A)	16007-1227	8
SPRING-ENGINE VALVE (Ref # 49078)	49078-0073	8
SPRING-ENGINE VALVE (Ref # 49078A)	49078-0831	8
SEAL-OIL,VSB 4.3 7.5 5.3 8.3 (Ref # 92049)	92049-1349	16
SHIM,T=3.225 (Ref # 92180)	92180-0276	AR
SHIM,T=3.275 (Ref # 92180A)	92180-0277	AR
SHIM,T=3.325 (Ref # 92180B)	92180-0278	AR
SHIM,T=2.50 (Ref # 92180C)	92180-1014	AR
SHIM,T=2.55 (Ref # 92180D)	92180-1016	AR
SHIM,T=2.60 (Ref # 92180E)	92180-1018	AR
SHIM,T=2.65 (Ref # 92180F)	92180-1020	AR
SHIM,T=2.70 (Ref # 92180G)	92180-1022	AR
SHIM,T=2.75 (Ref # 92180H)	92180-1024	AR
SHIM,T=2.80 (Ref # 92180I)	92180-1026	AR
SHIM,T=2.85 (Ref # 92180J)	92180-1028	AR
SHIM,T=2.90 (Ref # 92180K)	92180-1030	AR
SHIM,T=2.95 (Ref # 92180L)	92180-1032	AR
SHIM,T=3.00 (Ref # 92180M)	92180-1034	16
SHIM,T=3.05 (Ref # 92180N)	92180-1036	AR
SHIM,T=3.10 (Ref # 92180O)	92180-1038	AR
SHIM,T=3.15 (Ref # 92180P)	92180-1040	AR

2026 Teryx4 H2

PARTS LIST

Valve(s)

ITEM NAME	PART NUMBER	QUANTITY
SHIM,T=3.20 (Ref # 92180Q)	92180-1042	AR
SHIM,T=3.25 (Ref # 92180R)	92180-1044	AR
SHIM,T=3.30 (Ref # 92180S)	92180-1046	AR
SHIM,T=3.35 (Ref # 92180T)	92180-1048	AR
SHIM,T=3.40 (Ref # 92180U)	92180-1050	AR
SHIM,T=3.45 (Ref # 92180V)	92180-1052	AR
SHIM,T=3.50 (Ref # 92180W)	92180-1054	AR
SHIM,T=2.675 (Ref # 92180X)	92180-1174	AR
SHIM,T=2.725 (Ref # 92180Y)	92180-1175	AR
SHIM,T=2.775 (Ref # 92180Z)	92180-1176	AR
SHIM,T=2.825 (Ref # 9218AA)	92180-1177	AR
SHIM,T=2.875 (Ref # 9218AB)	92180-1178	AR
SHIM,T=2.925 (Ref # 9218AC)	92180-1179	AR
SHIM,T=2.975 (Ref # 9218AD)	92180-1180	AR
SHIM,T=3.025 (Ref # 9218AE)	92180-1181	AR
SHIM,T=3.075 (Ref # 9218AF)	92180-1182	AR
SHIM,T=3.125 (Ref # 9218AG)	92180-1183	AR
SHIM,T=3.175 (Ref # 9218AH)	92180-1184	AR
SHIM,T=2.9375 (Ref # 9218AI)	92180-1688	AR
SHIM,T=2.9625 (Ref # 9218AJ)	92180-1690	AR
SHIM,T=2.9875 (Ref # 9218AK)	92180-1692	AR
SHIM,T=3.0125 (Ref # 9218AL)	92180-1694	AR
SHIM,T=3.0375 (Ref # 9218AM)	92180-1696	AR
SHIM,T=3.0625 (Ref # 9218AN)	92180-1698	AR
SHIM,T=3.0875 (Ref # 9218AO)	92180-1700	AR
SHIM,T=3.1125 (Ref # 9218AP)	92180-1702	AR