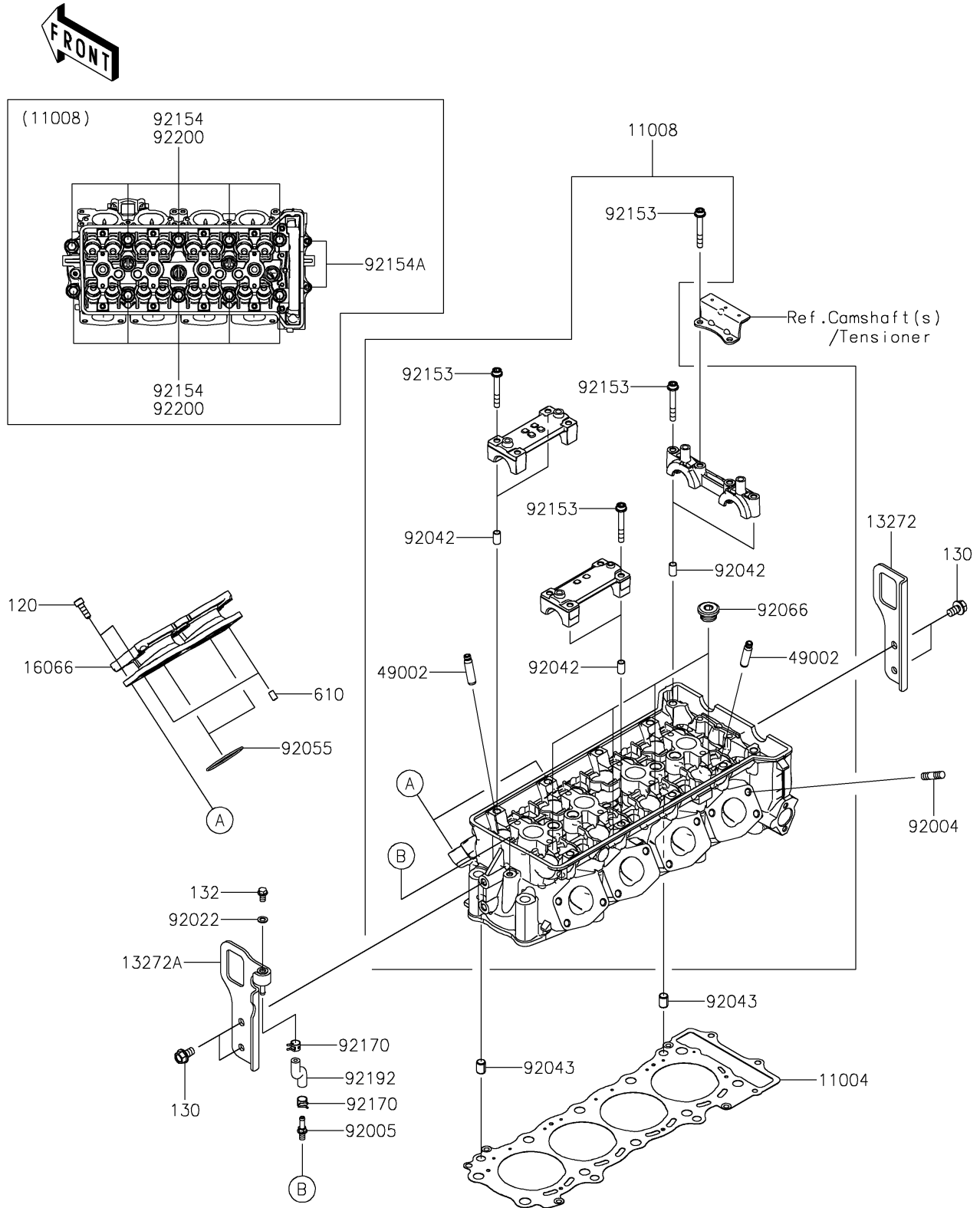


# 2026 Teryx4 H2

## PARTS DIAGRAM

### Cylinder Head

E1111



# 2026 Teryx4 H2

## PARTS LIST

### Cylinder Head

ITEM NAME	PART NUMBER	QUANTITY
GASKET-HEAD (Ref # 11004)	11004-0821	1
HEAD-COMP-CYLINDER (Ref # 11008)	11008-1595	1
PLATE,RH (Ref # 13272)	13272-7200	1
PLATE,LH (Ref # 13272A)	13272-7293	1
HOLDER-THROTTLE BODY (Ref # 16066)	16066-0033	2
GUIDE-VALVE (Ref # 49002)	49002-0009	16
STUD,8X22 (Ref # 92004)	92004-0025	10
FITTING (Ref # 92005)	92005-0826	1
WASHER,6.2X11X1 (Ref # 92022)	92022-304	1
PIN,DOWEL,6.3X8X14 (Ref # 92042)	92042-007	10
PIN,8.2X10X14 (Ref # 92043)	92043-1264	2
RING-O,43.7X1.9 (Ref # 92055)	92055-1401	4
PLUG,18X10 (Ref # 92066)	92066-0832	4
BOLT,SOCKET,6X45 (Ref # 92153)	92153-0656	20
BOLT,11X157 (Ref # 92154)	92154-3931	10
BOLT,SOCKET,6X90 (Ref # 92154A)	92154-7805	2
CLAMP (Ref # 92170)	92170-1493	2
TUBE,4X10X78 (Ref # 92192)	92192-2762	1
WASHER,11.5X21X2.3 (Ref # 92200)	92200-0341	10
BOLT-SOCKET,6X18 (Ref # 120)	120CB0618	10
BOLT-FLANGED,8X14 (Ref # 130)	130CA0814	4
BOLT-FLANGED-SMALL,6X10 (Ref # 132)	132BA0610	1
ROLLER,6X10 (Ref # 610)	610A0610	4