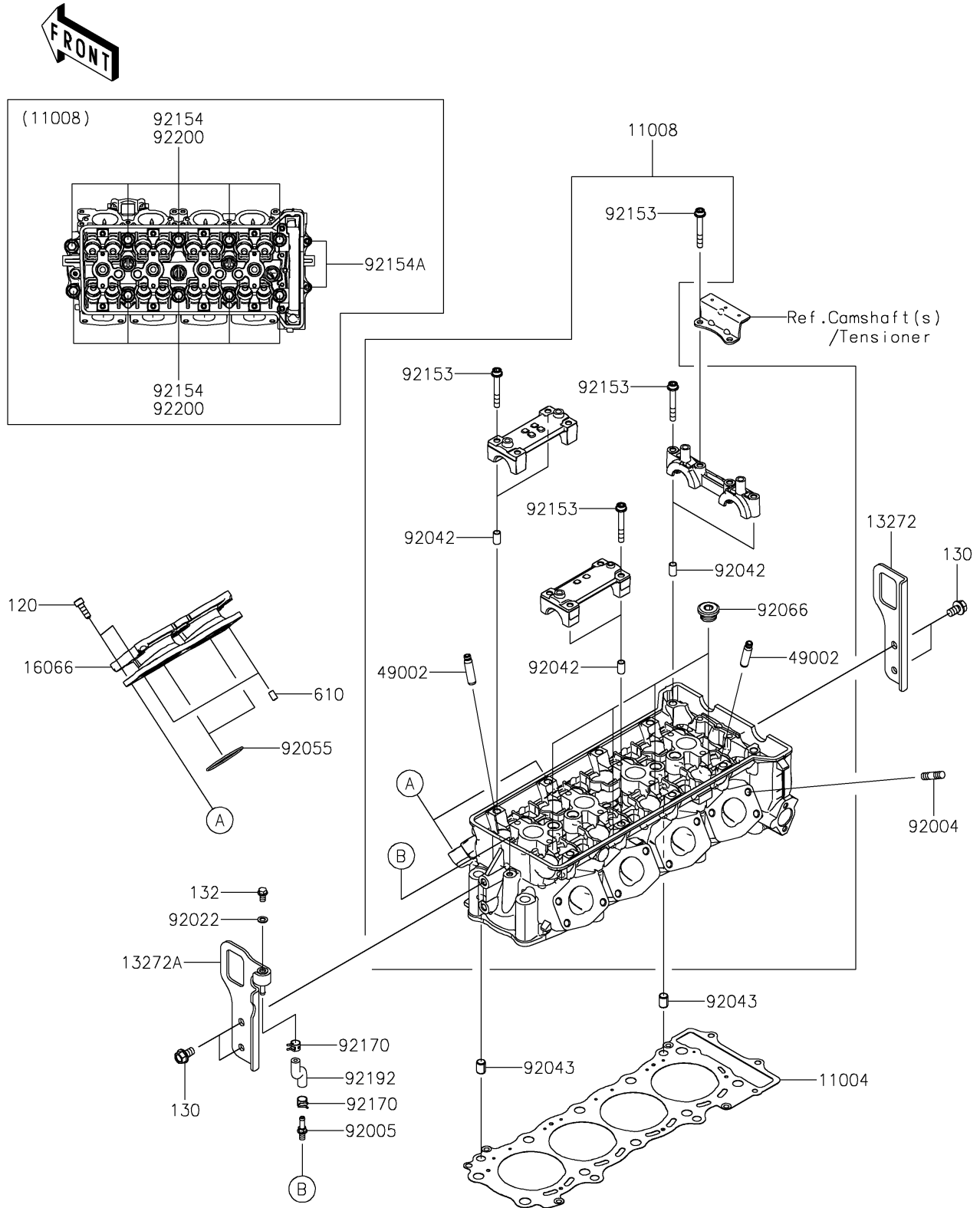


# 2026 TERYX® 4 H2

## PARTS DIAGRAM

### Cylinder Head

E1111



# 2026 TERYX® 4 H2

## PARTS LIST

### Cylinder Head

**ITEM NAME**

**PART NUMBER**

**QUANTITY**

---