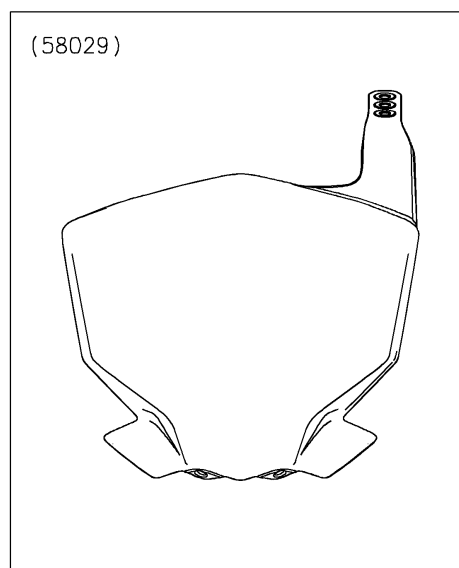
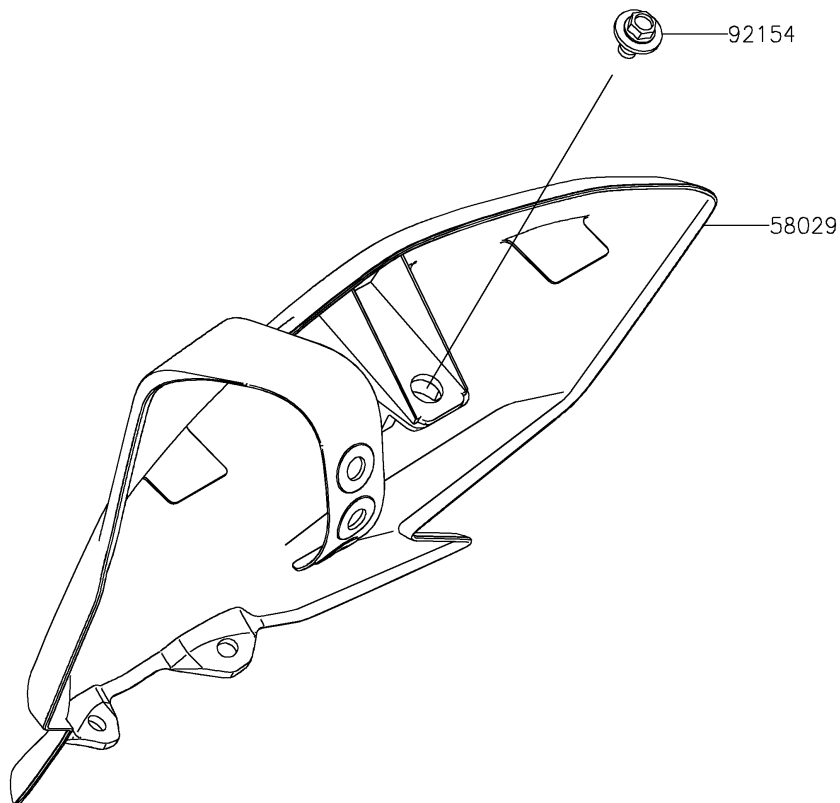


2026 KX™ 85 L

PARTS DIAGRAM

Accessory

F2910



WOD

2026 KX™ 85 L

PARTS LIST

Accessory

| ITEM NAME | PART NUMBER | QUANTITY |
|------------------------------------|----------------|----------|
| PLATE-NUMBER,L.GREEN (Ref # 58029) | 58029-0017-290 | 1 |
| BOLT,FLANGED,6X12 (Ref # 92154) | 92154-2970 | 1 |