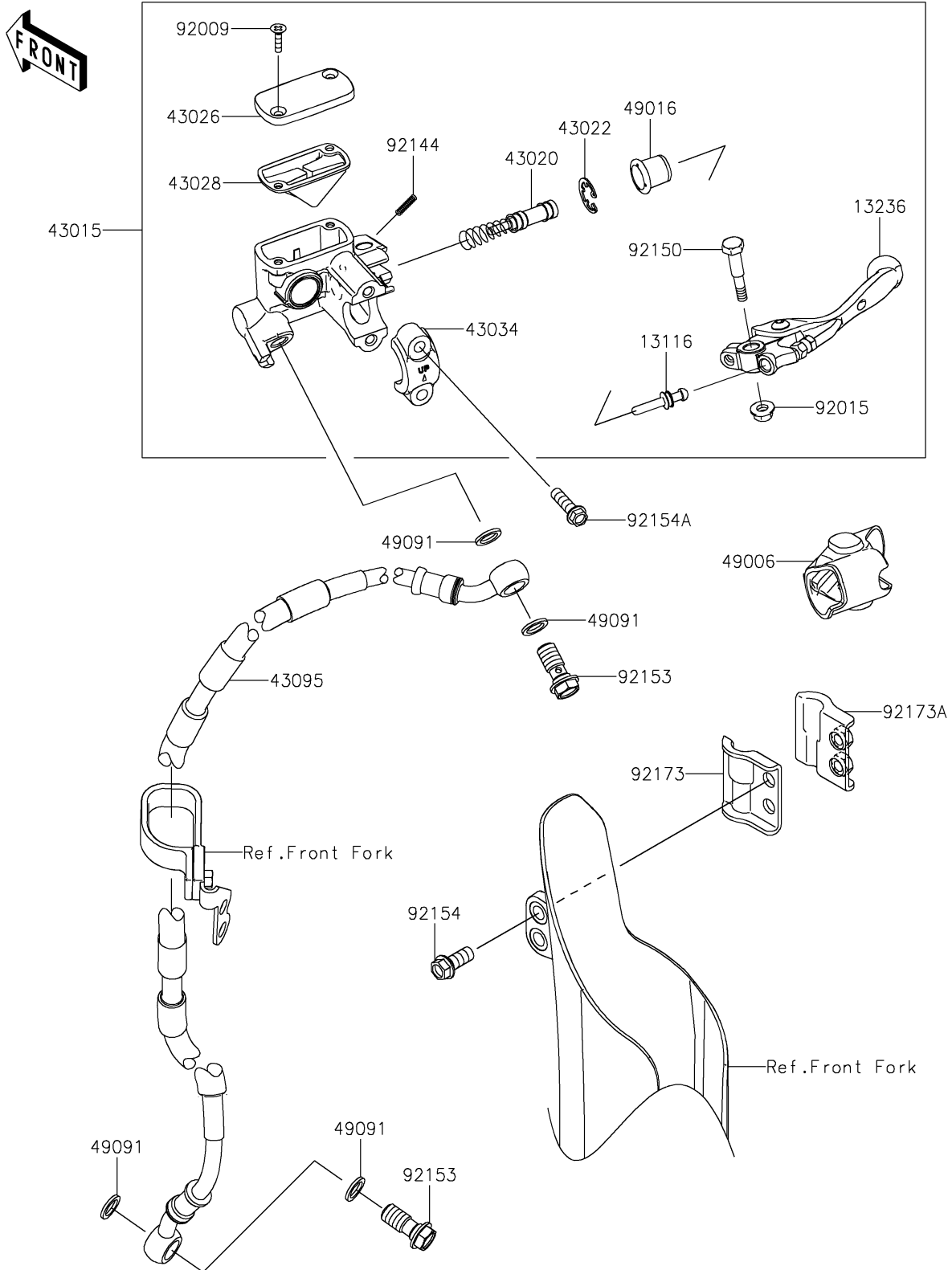


2026 KX™ 85 L

PARTS DIAGRAM

Front Master Cylinder

F2291



2026 KX™ 85 L

PARTS LIST

Front Master Cylinder

ITEM NAME	PART NUMBER	QUANTITY
ROD-PUSH (Ref # 13116)	13116-0744	1
LEVER-COMP,FRONT BRAKE (Ref # 13236)	13236-0807	1
CYLINDER-ASSY-MASTER (Ref # 43015)	43015-0695	1
PISTON-COMP-BRAKE (Ref # 43020)	43020-0031	1
STOPPER-BRAKE,PISTON (Ref # 43022)	43022-0004	1
CAP-BRAKE,MASTER CYLINDER (Ref # 43026)	43026-0027	1
DIAPHRAGM (Ref # 43028)	43028-0023	1
HOLDER-BRAKE (Ref # 43034)	43034-1110	1
HOSE-BRAKE,FR (Ref # 43095)	43095-2304	1
BOOT,BRAKE LEVER (Ref # 49006)	49006-0606	1
COVER-SEAL,MASTER CYLINDER (Ref # 49016)	49016-1044	1
WASHER-SEAL,10.1X14.5X1.5 (Ref # 49091)	49091-0001	4
SCREW (Ref # 92009)	92009-1795	2
NUT,FLANGED,6MM (Ref # 92015)	92015-1528	1
SPRING,RETURN (Ref # 92144)	92144-1725	1
BOLT,LEVER SET (Ref # 92150)	92150-1451	1
BOLT,OIL,L=23 (Ref # 92153)	92153-1419	2
BOLT,FLANGED,6X14 (Ref # 92154)	92154-2964	2
BOLT,6X22 (Ref # 92154A)	92154-3780	2
CLAMP,BRAKE HOSE,LH (Ref # 92173)	92173-1177	1
CLAMP,BRAKE HOSE,RH (Ref # 92173A)	92173-1178	1